

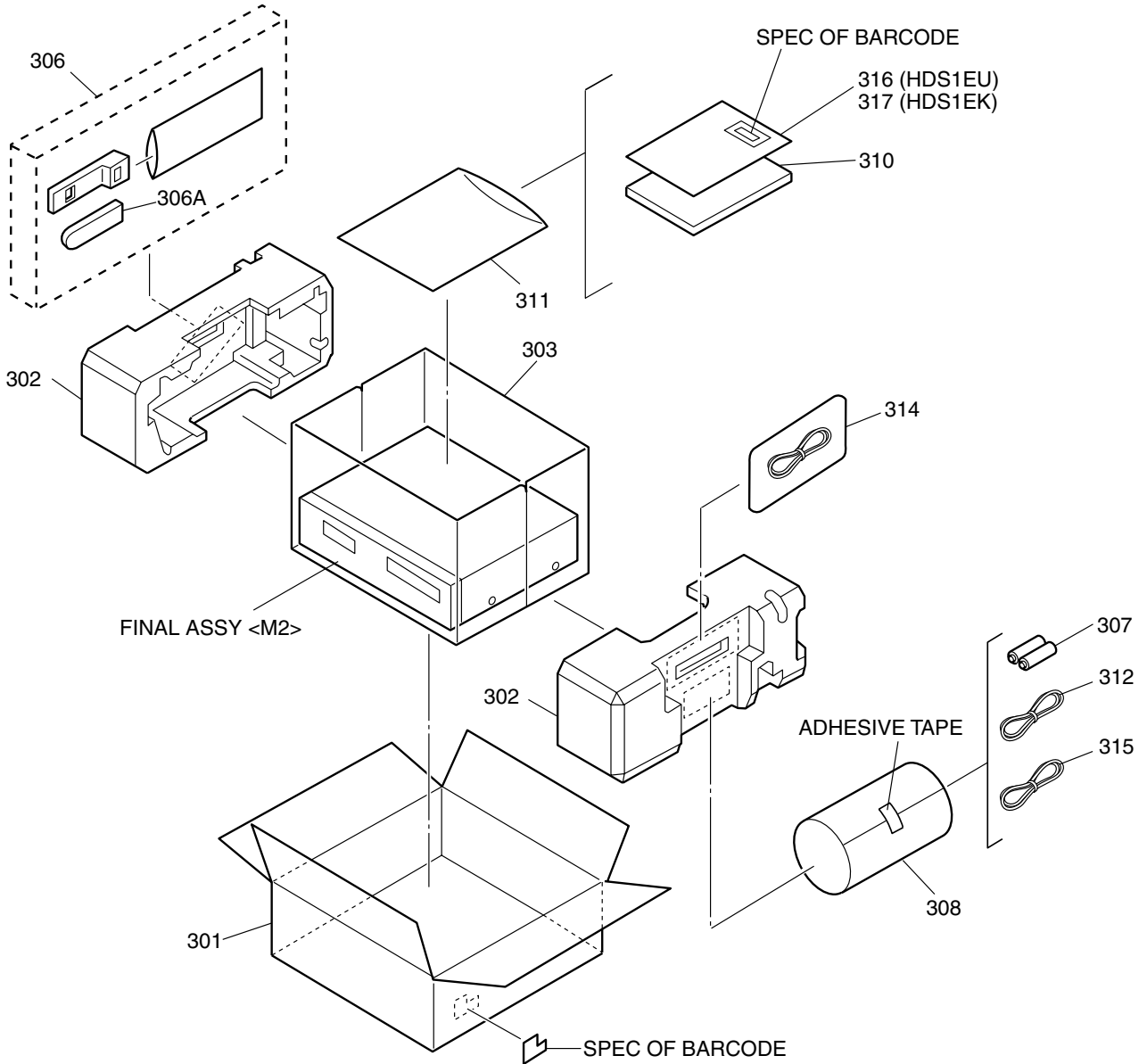
# SECTION 5 PARTS LIST

## SAFETY PRECAUTION

Parts identified by the  $\triangle$  symbol are critical for safety. Replace only with specified part numbers.

### 5.1 PACKING AND ACCESSORY ASSEMBLY <M1>

The instruction manual to be provided with this product will differ according to the destination.

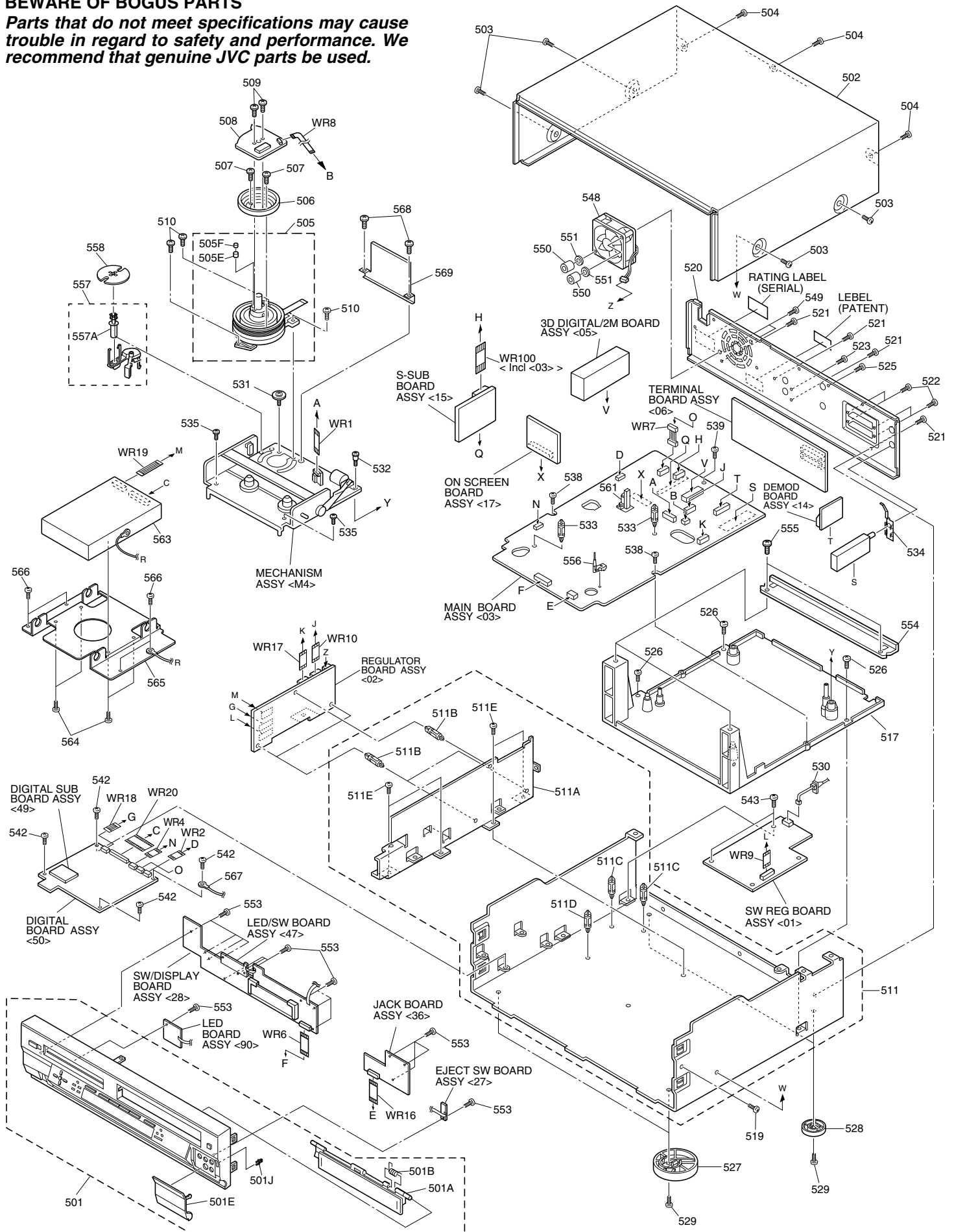


# $\triangle$ REF No.	PART No.	PART NAME, DESCRIPTION	# $\triangle$ REF No.	PART No.	PART NAME, DESCRIPTION
*****					
<b>PACKING AND ACCESSORY ASSEMBLY &lt;M1&gt;</b>					
301	LP30823-012A	PACKING CASE,HDS1EU	$\triangle$	LPT0606-002A	INST.BOOK(GE),HDS1EU
	LP30823-014A	PACKING CASE,HDS1EK	$\triangle$	LPT0606-003A	INST.BOOK(FR),HDS1EU
302	LP30868-001B	CUSHION ASSY	$\triangle$	LPT0606-004A	INST.BOOK(DU),HDS1EU
303	PQM30021-95	POLY BAG,HDS1EU	$\triangle$	LPT0606-005A	INST.BOOK(SP),HDS1EU
	PQM30021-105	POLY BAG,HDS1EK	$\triangle$	LPT0606-006A	INST.BOOK(IT),HDS1EU
306	LP20873-009B	REMOTE CONTROLLER	$\triangle$	LPT0606-007A	INST.BOOK(SW),HDS1EU
306A	LP40254-007A	COVER(BATTERY)	$\triangle$	LPT0607-001A	INST.BOOK(EN),HDS1EK
307	-	BATTERY,X2("R6"TYPE)	311	QPC02503530P	POLY BAG
308	QPC02202230P	POLY BAG	312	PEAC0300-02	RF CABLE
$\triangle$ 310	LPT0606-001A	INST.BOOK(EN),HDS1EU	314	QAM0020-001	PERI CABLE
			315	QAL0095-005	LED CABLE ASSY(Satellite Control)
			316	BT-54013-2	WARRANTY CARD,HDS1EU
			317	BT-54008-2	GUARANTY CARD,HDS1EK

## 5.2 FINAL ASSEMBLY <M2>

### BEWARE OF BOGUS PARTS

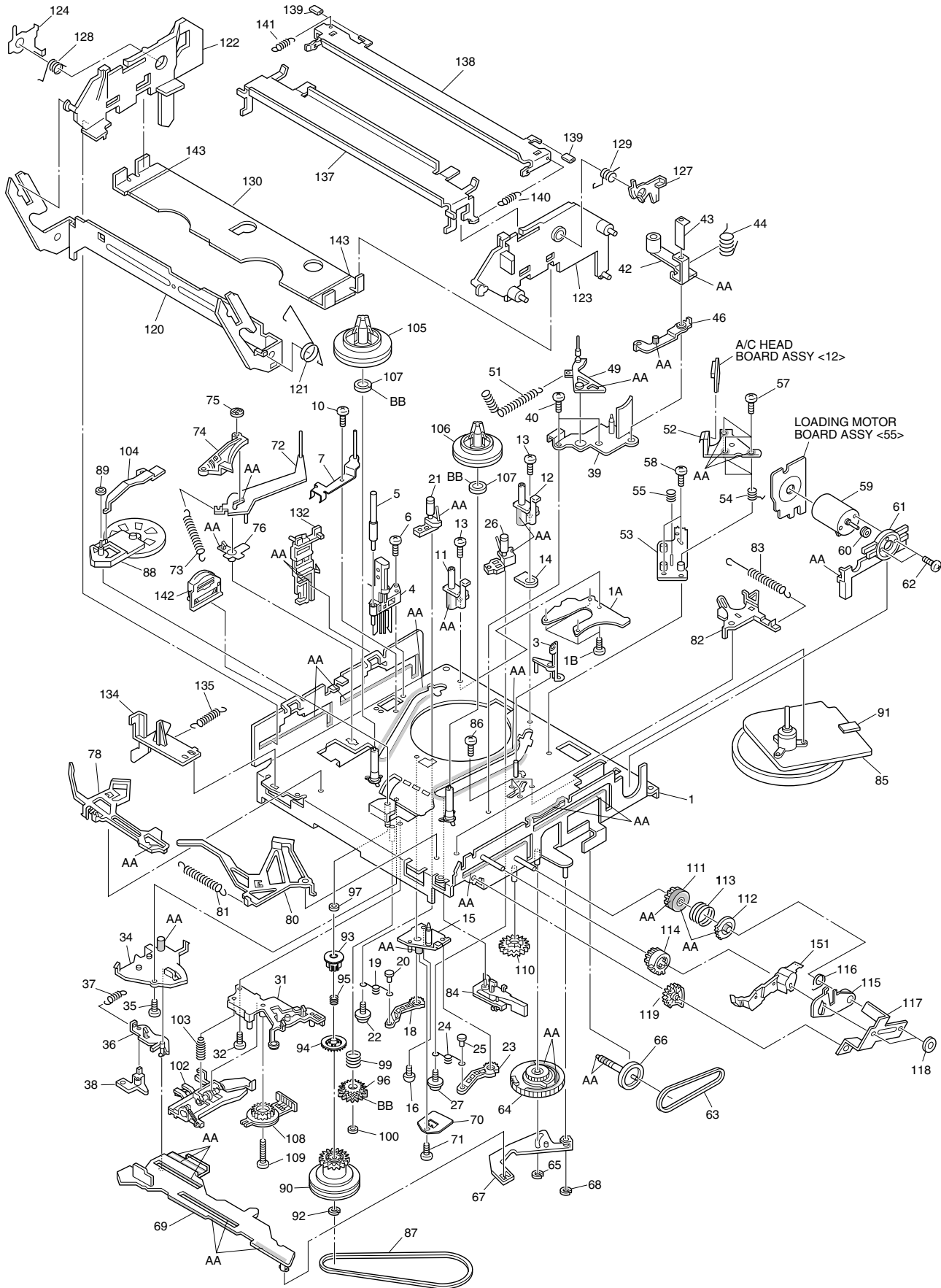
*Parts that do not meet specifications may cause trouble in regard to safety and performance. We recommend that genuine JVC parts be used.*



#	△ REF No.	PART No.	PART NAME, DESCRIPTION
*****			
<b>FINAL ASSEMBLY &lt;M2&gt;</b>			
△	501	LP10331-012A	FRONT PANEL ASSY,HDS1EU
△		LP10331-013A	FRONT PANEL ASSY,HDS1EK
	501A	LP20968-007A	CASSETTE DOOR
	501B	PQ46448	TORSION SPRING
	501E	LP30763-001A	DOOR(JACK),HDS1EU
		LP30763-002A	DOOR(JACK),HDS1EK
	501J	PU60109	CATCHER
△	502	LP10128-006A	TOP COVER
	503	QYTDST3006R	SCREW,X4 TOP COVER(SIDE)
	504	QYTDST3006M	SCREW,X3 TOP COVER(REAR)
	505	LP20617-016A	DRUM SUB ASSY
	505E	LP40323-001A	CONTACT
	505F	LP30004-014A	COMPRESION SPRING
	506	PDZ0179-1-4	ROTOR ASSY
	507	QYSPSP3006Z	SCREW,X2
△	508	QAR0119-001	STATOR ASSY
	509	QYSPSPH2606Z	SCREW,X2
	510	QYTDST2610Z	SCREW,X3 DRUM
△	511	LP10156-003B	BOTTOM CHASSIS ASSY
	511A	LP10130-002B	BRACKET(1)
	511B	PEME0834	SPACER (BOARD),X3
	511C	LP40696-001A	HOLDER(BOARD),X2
	511D	LP40696-002A	HOLDER(BOARD)
	511E	QYTDST3006Z	SCREW,X4
	517	LP20939-001C	BASE(1)
	519	QYTDSF3010Z	SCREW,BOTTOM CHASSIS
△	520	LP10339-004A	REAR COVER
	521	QYTDST3006M	SCREW,X4 REAR COVER
	522	QYTDSF3008M	SCREW,X4 PERI
	523	QYTDSF3008M	SCREW,JACK
	525	QYTDSF3008M	SCREW,S JACK
	526	QYTDST3006Z	SCREW,X3 BASE(1)
	527	PQ46617C	FOOT ASSY,X2
	528	PQ35504	FOOT(2),X2
	529	QYTDST3006Z	SCREW,X4
△	530	QMP4A10-170	POWER CORD,HDS1EU
△		QMP51K0-170-K	POWER CORD,HDS1EK
	531	PQ40413	SPECIAL SCREW,MECHA
	532	LP40700-001A	SPECIAL SCREW,MECHA
	533	LP40226-001A	PC SUPPORT,X2
	534	PQ21623-2-5	EARTH PLATE(RF)
	535	QYTDSF3010Z	SCREW,X2 MECHA
	538	QYTDSF3010Z	SCREW,X2 MAIN
	539	QYTDST3006Z	SCREW,MAIN
	542	QYTDST3006Z	SCREW,X4 DIGITAL
	543	QYTDST3006Z	SCREW,X2 SW.REG
	548	QAR0121-001	FAN MOTOR
	549	QYTDSP4030M	SCREW,X2
	550	QYNNNS4000Z	NUT,X2
	551	QYWLS4277A0Z	SPRING WASHER,X2
	553	QYTDSF2608Z	SCREW,X15 FRONT
	554	LP30312-001B	BRACKET(CHASSIS)
	555	QYTDSF3010Z	SCREW,X2
	556	LP40407-001A	KNOB ASSY
	557	LP40370-001E	ROLLER ARM ASSY
	557A	PDM4311A-1	ROLLER ASSY
	558	PQ45160	INERTIA PLATE

#	△ REF No.	PART No.	PART NAME, DESCRIPTION
	561	LP40253-001B	STOPPER
	563	LPH30379-003B	HDD (without Digital sub board assembly)
		LPH30379-004A	HDD (with Digital sub board assembly)
	564	LP40738-001A	SCREW,X4
	565	LP20962-001A	FRAME(HDD)
	566	QYTDST3006Z	SCREW,X4
	567	PU49485-4	WIRE CLAMP
	568	LP30356-003A	DRUM SHIELD
	569	QYTDST2606Z	SCREW,X2
	WR1	WJT0005-002A	E-CARD WIRE,A/C HEAD CN2001
	WR2	QUQ210-0826CC	FFC WIRE,DIGITAL CN2601
	WR4	QUQ210-0620CC	FFC WIRE,DIGITAL CN3014
	WR6	QUQ112-1810CG	FFC WIRE,FRONT CN3011
	WR7	QJN019-063011	SHI CR C-C WIRE,MAIN CN8601
	WR8	QUQ212-0516CG	FFC WIRE,DRUM CN3001
	WR9	QUQ212-1910CG	FFC WIRE,SW/REG CN5301
	WR10	QUQ212-1328CG	FFC WIRE,REG CN7508
	WR16	QUQ112-1010CG	FFC WIRE,FRONT CN7507
	WR17	QUQ212-1536CG	FFC WIRE,REG CN7509
	WR18	QJJ001-091704	SIN CR C-C WIRE,DIGITAL CN5323
	WR19	QJJ032-041504	SIN CR C-C WIRE,HDD CN5326
	WR20	WJS0018-001A	E-FL/RB WIRE,DIGITAL CN8001

### 5.3 MECHANISM ASSEMBLY <M4>



Classification	Part No.	Symbol in drawing
Grease	KYODO-SH-P	AA
Oil	COSMO-HV56	BB

**NOTE:** This section indicates that the grease and oil are to be applied on locations marked with **AA** and **BB**. During checking and servicing, check if grease has been applied on the locations marked with **AA** and oil on the locations marked with **BB**.

#	△	REF No.	PART No.	PART NAME, DESCRIPTION	#	△	REF No.	PART No.	PART NAME, DESCRIPTION
*****									
<b>MECHANISM ASSEMBLY &lt;M4&gt;</b>									
1			LP20821-002F	MAIN DECK ASSY	73			LP30003-010A	TENSION SPRING
1A			LP40275-004B	PLATE(SUPPLY)	74			LP40109-003D	TENSION BRAKE ASSY
1B			QYTDST2605Z	SCREW,X4	75			PQ46302-1-3	ADJUST PIN
3			LP30492-002B	GIDE POLE GUARD	76			LP30232-002A	TENSION ARM BEARING
4			NAH0001-001	FULL ERASE HEAD	78			LP40532-009B	MAIN BRAKE ASSY (SUPPLY)
5			LP40098-001B	GUIDE POLE(SUPPLY)	80			LP40111-014C	MAIN BRAKE ASSY (TAKE UP)
6			QYTDST2608Z	SCREW	81			LP30003-029A	TENSION SPRING
7			LP40637-002A	TENSION STUD BASE ASSY	82			LP40112-001F	SUB BRAKE ASSY(TAKE UP)
10			QYTDST2606Z	SCREW	83			LP40357-001B	TENSION SPRING
11			LP30409-002C	UV CATCHER 2(SUPPLY)	84			LP40461-001A	CAPSTAN BRAKE ASSY
12			LP30409-002C	UV CATCHER 2(TAKE UP)	85			QAR0132-001	CAPSTAN MOTOR
13			QYTPST2606Z	SCREW,X2	86			QYTDST2606M	SCREW,X3
14			PQ40919-10	SPACER(TAKE UP)	87			LP30005-008A	BELT,CAPSTAN MOTOR
15			LP30223-003C	LOADING ARM GEAR SHAFT	88			LP40114-011B	IDLER ARM ASSY
16			QYTDST2606Z	SCREW	89			LP30016-001A	SLIT WASHER
18			LP30224-001B	LOADING ARM GEAR(SUPPLY)	90			LP40593-003B	CLUTCH UNIT 3
19			LP40099-001A	TORSION ARM	91			LP30002-097A	SPACER,CAPSTAN MOTOR
20			LP40100-001A	PIN	92			PQM30017-47	SLIT WASHER
21			LP40101-006A	POLE BASE ASSY(SUPPLY)	93			LP30696-002A	CLUTCH GEAR 4
22			QYSPSTG2606Z	SCREW	94			LP30697-003A	COUPLING GEAR
23			LP40103-002B	LOADING ARM GEAR(TAKE UP)	95			LP40554-002A	COMPRESSION SPRING
24			LP40099-001A	TORSION ARM	96			LP40442-001A	DIRECT GEAR
25			LP40100-001A	PIN	97			LP30017-019A	SPACER,C.GEAR4
26			LP40104-006A	POLE BASE ASSY(TAKE UP)	99			LP40483-002A	COMPRESSION SPRING,D.GEAR
27			QYSPSTG2606Z	SCREW	100			LP30016-001A	SLIT WASHER,D.GEAR
31			LP20233-004B	ROTARY ENCODER GUIDE	102			LP40484-003B	CHANGE LEVER ASSY
32			QYTPST2606Z	SCREW	103			LP40512-002B	COMPRESSION SPRING
34			LP30226-004E	CONTROL PLATE GUIDE	104			LP30236-002C	IDLER LEVER
35			QYTPST2605Z	SCREW	105			LP20237-003B	REEL DISK ASSY(SUPPLY)
36			LP30249-003B	TAKE UP LEVER	106			LP20238-003B	REEL DISK ASSY(TAKE UP)
37			LP30003-006A	TENSION SPRING	107			LP30017-015A	SPACER,X2
38			LP40119-002A	T.UP HEAD	108			QSW0554-003	ROTARY ENCODER
39			LP20234-004B	LID GUIDE	109			LP40746-001A	SPECIAL SCREW
40			QYTDST2606Z	SCREW,X2	110			LP30237-002B	CASSETTE GEAR
42			LP40105-003A	PINCH ROLLER ARM ASSY	111			LP30239-002G	LIMIT GEAR(1)
43			LP40753-001A	PINCH ROLLER SHEET 3	112			LP30240-002G	LIMIT GEAR(2)
44			LP40148-002A	TORSION SPRING	113			LP40136-001E	TORSION SPRING
46			LP40149-001C	PRESS LEVER ASSY	114			LP30242-002A	RELAY GEAR
49			LP40106-007A	GUIDE ARM ASSY	115			LP30339-002E	OPENER GUIDE
51			LP40134-001C	TENSION SPRING	116			LP40545-001A	TORSION SPRING
52			QAH0010-005	AC HEAD	117			LP40214-001B	C.H.BRACKET
53			LP30228-001C	HEAD BASE	118			PQM30017-47	SLIT WASHER,X2
54			LP30004-013A	COMPRESSION SPRING,X3	119			LP30243-002A	DRIVE GEAR
55			LP40236-001A	COMPRESSION SPRING	120			LP20240-001G	DRIVE ARM
57			LP40213-002B	SPECIAL SCREW,X3	121			LP40137-001A	TORSION SPRING
58			QYTDST2608Z	SCREW,X2	122			LP10081-002P	SIDE HOLDER(L)
59			QAR0023-001	LOADING MOTOR	123			LP10082-002U	SIDE HOLDER(R)
60			PQ43546-1-2	MOTOR PULLEY	124			LP30255-006B	LOCK LEVER(L)
61			LP30230-003D	MOTOR GUIDE	127			LP30256-001H	LOCK LEVER(R)
62			QYTPSP3003Z	SCREW,X2	128			LP40168-003A	TORSION SPRING(L)
63			LP30005-003A	BELT,LOADING MOTOR	129			LP40218-001B	TORSION SPRING(R)
64			LP20791-002D	CONTROL CAM	130			LP30257-001G	CASSETTE HOLDER
65			PQM30017-24	SLIT WASHER	131			PQ40919-30	SPACER,EARTH PLATE
66			LP40120-001A	WORM GEAR	132			LP30244-002G	GUIDE RAIL
67			LP40107-002A	LINK LEVER ASSY	134			LP30245-002F	REC SAFETY LEVER
68			PQM30017-24	SLIT WASHER	135			LP30003-004A	TENSION SPRING
69			LP10284-002E	CONTROL PLATE	137			LP20578-001C	TOP GUIDE
70			LP40379-001B	CONTROL BRACKET(1)	138			LP30500-001C	HOLD PLATE
71			QYTDST2608M	SCREW	139			LP40450-003A	PAD,X2
72			LP40108-002A	TENSION ARM ASSY	140			LP30003-025B	TENSION SPRING
					141			LP30003-024A	TENSION SPRING
					142			LP40481-003A	ROLLER CAM ASSY
					143			LP30019-014A	PAD,X2
					151			LP20324-003B	DOOR OPENER

## 5.4 ELECTRICAL PARTS LIST

#	△ REF No.	PART No.	PART NAME, DESCRIPTION
*****			
<b>SW.REG BOARD ASSEMBLY &lt;01&gt;</b>			
PW1		LPA10119-06A1	SW.REG BOARD ASSY
IC5101		STR-F6552	IC
IC5301		L5431	IC
		or MM1431AT	IC
Q5301		2SD1819A/RS/-X	TRANSISTOR
		or 2SC4081/RS/-X	TRANSISTOR
		or 2PC4081/R/-X	TRANSISTOR
Q5302		DTA114EU	TRANSISTOR
		or PDTA114EU	TRANSISTOR
		or RN2302	TRANSISTOR
		or UN5111	TRANSISTOR
D5001		D3SBA60	BRIDGE DIODE
D5101		SARS01	DIODE
D5102		AU01Z	FR DIODE
		or ERA18-02-T2	FR DIODE
		or PG104RS	FR DIODE
		or 1SR153-400-T2	FR DIODE
		or 10ELS2	FR DIODE
D5103		1SS133	DIODE
		or 1SS270A	DIODE
D5201		AK04	DIODE
		or 1S4	SB DIODE
		or 11EQS04	SB DIODE
D5202		FML-12S	FR DIODE
		or SF5LC20U	FR DIODE
		or ER602FCT	FR DIODE
		or YG901C2	FR DIODE
		or FCF06A20	FR DIODE
D5203		FMB-24	BARRIER DIODE
		or FSQ05A04B	SB DIODE
		or SB640FCT	SB DIODE
		or SF5SC4	SB DIODE
		or YG801C04	SB DIODE
D5204		1SR153-400-T2	FR DIODE
		or 10ELS2	FR DIODE
		or ERA18-02-T2	FR DIODE
		or PG104RS	FR DIODE
D5206		FMB-24	BARRIER DIODE
		or FSQ05A04B	SB DIODE
		or SB640FCT	SB DIODE
		or SF5SC4	SB DIODE
		or YG801C04	SB DIODE
D5210		AU01Z	FR DIODE
		or ERA18-02-T2	FR DIODE
		or PG104RS	FR DIODE
		or 1SR153-400-T2	FR DIODE
		or 10ELS2	FR DIODE
D5211		AU01Z	FR DIODE
		or ERA18-02-T2	FR DIODE
		or PG104RS	FR DIODE
		or 10ELS2	FR DIODE
		or 1SR153-400-T2	FR DIODE
D5301		MTZJ15A	ZENER DIODE
		or RD15ES/B1/-T2	ZENER DIODE
D5303		MTZJ7.5A	ZENER DIODE
		or RD7.5ES/B1/-T2	ZENER DIODE
D5304		1SS133	DIODE

#	△ REF No.	PART No.	PART NAME, DESCRIPTION
		or 1SS270A	DIODE
D5305		MTZJ27C	ZENER DIODE
		or RD27ES/B3/-T2	ZENER DIODE
D5306		MTZJ2.7B	ZENER DIODE
		or RD2.7ES/B2/-T2	ZENER DIODE
D5307		1SS133	DIODE
		or 1SS270A	DIODE
D5308		1SS133	DIODE
		or 1SS270A	DIODE
D5309		1SS133	DIODE
		or 1SS270A	DIODE
D5310		1SS133	DIODE
		or 1SS270A	DIODE
D5311		1SS133	DIODE
		or 1SS270A	DIODE
D5312		1SS133	DIODE
		or 1SS270A	DIODE
D5313		1SS133	DIODE
		or 1SS270A	DIODE
R5101		QRG02GJ-683	OMF RESISTOR 68kΩ,2W
R5102		QRE141J-100Y	RESISTOR 10Ω,1/4W
R5103		NRSA02J-332X	MG RESISTOR 3.3kΩ,1/10W
R5104		QRE141J-681Y	RESISTOR 680Ω,1/4W
R5105		QRT01DJ-R47X	MF RESISTOR 0.47Ω,1W
R5107		QRE141J-684Y	RESISTOR 680kΩ,1/4W
R5108		QRE121J-470Y	RESISTOR 47Ω,1/2W
R5302		NRSA02J-472X	MG RESISTOR 4.7kΩ,1/10W
R5303		NRVA02D-123X	CMF RESISTOR 12kΩ,1/10W
R5304		NRVA02D-302X	CMF RESISTOR 3kΩ,1/10W
R5305		NRSA02J-223X	MG RESISTOR 22kΩ,1/10W
△ R5306		QRZ9005-470X	FUSI RESISTOR 47Ω,1/4W
R5307		NRSA02J-221X	MG RESISTOR 220Ω,1/10W
R5308		NRSA02J-102X	MG RESISTOR 1kΩ,1/10W
R5309		NRSA02J-122X	MG RESISTOR 1.2kΩ,1/10W
R5310		QRL02DJ-821X	OMF RESISTOR 820Ω,2W
R5311		NRSA02J-473X	MG RESISTOR 47kΩ,1/10W
R5313		NRSA02J-561X	MG RESISTOR 560Ω,1/10W
R5314		NRSA02J-103X	MG RESISTOR 10kΩ,1/10W
R5316		NRSA02J-102X	MG RESISTOR 1kΩ,1/10W
R5317		NRSA02J-333X	MG RESISTOR 33kΩ,1/10W
B5003		QUY160-100Y	IM BUS WIRE
△ C5001		QFZ9073-683	F CAPACITOR 0.068μF,250V
△ C5002		QFZ9051-333	F CAPACITOR 0.033μF,250V
△ C5004		QCZ9071-222	CAPACITOR 0.0022μF,250V
C5007		QEZ0374-826	E CAPACITOR 82μF,400V
C5102		QEMU1VM-276	E CAPACITOR 27μF,35V
C5103		QCZ0302-330Z	CAPACITOR 33pF,1kV
C5104		QFLC1HJ-471Z	F CAPACITOR 470pF,50V
C5105		NCB21HK-223X	CAPACITOR 0.022μF,50V
C5106		QCZ0212-472	CAPACITOR 0.0047μF,1kV
C5201		QEMU0JM-227	E CAPACITOR 220μF,6.3V
C5202		QEMT1CM-827	E CAPACITOR 820μF,16V
C5203		QETN1CM-227	E CAPACITOR 220μF,16V
C5204		QEMT1AM-228	E CAPACITOR 2200μF,10V
C5205		QETN1AM-227	E CAPACITOR 220μF,10V
C5206		QEMU1EM-187	E CAPACITOR 180μF,25V
C5207		QETN2AM-475	E CAPACITOR 4.7μF,100V
C5208		QEMU1HM-186	E CAPACITOR 18μF,50V
C5212		QEMT1AM-278	E CAPACITOR 2700μF,10V
C5213		QETN1AM-227	E CAPACITOR 220μF,10V
C5301		QFLC1HJ-103Z	F CAPACITOR 0.01μF,50V

#	△ REF No.	PART No.	PART NAME, DESCRIPTION
		C5302	QFLC1HJ-473Z F CAPACITOR 0.047μF,50V
		C5303	QFLC1HJ-333Z F CAPACITOR 0.033μF,50V
		C5304	QETN1EM-476 E CAPACITOR 47μF,25V
		C5305	QFLC1HJ-103Z F CAPACITOR 0.01μF,50V
		L5201	PELN1184 COIL 33μH
		L5202	PU60944-330K COIL 33μH
		L5205	PELN1184 COIL 33μH
		K5101	QQR0678-001Z FERRITE BEAD
△		PC5101	PC123F2 PH COUPLER
△		T5001	QQS0092-001 SW TRANSFORMER
		HS2	LP40515-001B HEAT SINK,D5206
		FC5001	QNG0006-001Z FUSE CLIP,F5001
		FC5002	QNG0006-001Z FUSE CLIP,F5001
△		LF5001	PELN1204-01-01 LINE FILTER
△		LF5002	QQR1031-001 LINE FILTER
△		CN5001	QGA7901C3-02 CONNECTOR,(1-2)AC IN
		CN5201	QGF1208C1-19 FPC CONNECTOR,(1-19)REG
△		CP5301	ICP-N25 CIRCUIT PROTECTOR
△		F5001	QMF51E2-2R0J1 FUSE T2.0A,AC250V

\*\*\*\*\*

**REG BOARD ASSEMBLY <02>**

PW2	LPA10119-06A2	REG BOARD ASSY
IC5321	PQ15RW11	IC
IC5322	PQ5EV3	IC
Q5321	2SD2528/QP/	TRANSISTOR
Q5322	2SD1819A/RS/-X	TRANSISTOR
	or 2SC4081/RS/-X	TRANSISTOR
	or 2PC4081/R/-X	TRANSISTOR
Q5326	2SD2375/QP/	TRANSISTOR
Q5327	2SD1819A/RS/-X	TRANSISTOR
	or 2SC4081/RS/-X	TRANSISTOR
	or 2PC4081/R/-X	TRANSISTOR
Q5328	2SD1302/ST/-T	TRANSISTOR
	or 2SD1450/ST/-T	TRANSISTOR
Q5329	DTA114EU	TRANSISTOR
	or PDTA114EU	TRANSISTOR
	or UN5111	TRANSISTOR
	or RN2302	TRANSISTOR
Q5330	2SD2144S/UV/-T	TRANSISTOR
Q5331	2SB1068/KU/-T	TRANSISTOR
Q5332	DTC114EU	TRANSISTOR
	or PDTC114EU	TRANSISTOR
	or RN1302	TRANSISTOR
	or UN5211	TRANSISTOR
Q5333	2SD1450/ST/-T	TRANSISTOR
	or 2SD1302/ST/-T	TRANSISTOR
Q5335	2SB1256	TRANSISTOR
Q5336	DTC114TU	TRANSISTOR
	or PDTC114TU	TRANSISTOR
	or UN5215	TRANSISTOR
	or RN1311	TRANSISTOR
D5321	FML-12S	FR DIODE
	or SF5LC20U	FR DIODE
	or YG901C2	FR DIODE
	or FCF06A20	FR DIODE

#	△ REF No.	PART No.	PART NAME, DESCRIPTION
			or ER602FCT FR DIODE
D5325		RD5.1JS/B2/-T2	ZENER DIODE
		or MA4051N/M/-T2	ZENER DIODE
D5326		1SS133	DIODE
		or 1SS270A	DIODE
D5327		RD5.1JS/B2/-T2	ZENER DIODE
		or MA4051N/M/-T2	ZENER DIODE
D5328		1SS133	DIODE
		or 1SS270A	DIODE
D5329		1SS133	DIODE
		or 1SS270A	DIODE
D5331		1SS133	DIODE
		or 1SS270A	DIODE
D5333		1SS133	DIODE
		or 1SS270A	DIODE
D5334		11ES2	DIODE
		or ERA15-02-T2	DIODE
		or 1A3G	DIODE
D5335		1SS133	DIODE
		or 1SS270A	DIODE
D5336		MTZJ12A	ZENER DIODE
		or RD12ES/B1/-T2	ZENER DIODE
R5322		NRSA02J-471X	MG RESISTOR 470Ω,1/10W
R5323		NRSA02J-471X	MG RESISTOR 470Ω,1/10W
R5324		NRSA02J-102X	MG RESISTOR 1kΩ,1/10W
R5325		NRSA02J-103X	MG RESISTOR 10kΩ,1/10W
R5326		NRSA02J-471X	MG RESISTOR 470Ω,1/10W
R5327		NRSA02J-471X	MG RESISTOR 470Ω,1/10W
R5328		NRSA02J-102X	MG RESISTOR 1kΩ,1/10W
R5329		NRSA02J-103X	MG RESISTOR 10kΩ,1/10W
R5330		NRSA02J-471X	MG RESISTOR 470Ω,1/10W
R5331		NRSA02J-473X	MG RESISTOR 47kΩ,1/10W
R5334		NRVA02D-472X	CMF RESISTOR 4.7kΩ,1/10W
R5335		NRVA02D-472X	CMF RESISTOR 4.7kΩ,1/10W
R5336		NRVA02D-472X	CMF RESISTOR 4.7kΩ,1/10W
R5337		NRVA02D-152X	CMF RESISTOR 1.5kΩ,1/10W
R5338		NRSA02J-103X	MG RESISTOR 10kΩ,1/10W
R5339		NRSA02J-102X	MG RESISTOR 1kΩ,1/10W
R5340		QRL01DJ-101X	OMF RESISTOR 100Ω,1W
R5341		NRSA02J-511X	MG RESISTOR 510Ω,1/10W
R5342		NRSA02J-471X	MG RESISTOR 470Ω,1/10W
R5343		NRSA02J-473X	MG RESISTOR 47kΩ,1/10W
R5344		NRSA02J-221X	MG RESISTOR 220Ω,1/10W
R5345		NRSA02J-472X	MG RESISTOR 4.7kΩ,1/10W
R5346		NRSA02J-222X	MG RESISTOR 2.2kΩ,1/10W
R5353		NRSA02J-103X	MG RESISTOR 10kΩ,1/10W
B5301		NRSA02J-0R0X	MG RESISTOR 0Ω,1/10W
B5302		NRSA02J-0R0X	MG RESISTOR 0Ω,1/10W
B5303		NRSA02J-0R0X	MG RESISTOR 0Ω,1/10W
B5305		NRSA02J-0R0X	MG RESISTOR 0Ω,1/10W
B5306		QUY153-050Y	IM BUS WIRE
B5307		QUY153-050Y	IM BUS WIRE
C5321		QETN1AM-107	E CAPACITOR 100μF,10V
C5322		QETN1HM-106	E CAPACITOR 10μF,50V
C5323		QETN1CM-107	E CAPACITOR 100μF,16V
C5324		QFLC1HJ-102Z	F CAPACITOR 0.001μF,50V
C5325		QFLC1HJ-102Z	F CAPACITOR 0.001μF,50V
C5326		QETN1AM-107	E CAPACITOR 100μF,10V
C5327		NCB21HK-103X	CAPACITOR 0.01μF,50V
C5328		QETN1AM-107	E CAPACITOR 100μF,10V
C5329		NCB21HK-103X	CAPACITOR 0.01μF,50V

#	△ REF No.	PART No.	PART NAME, DESCRIPTION
	C5330	QETN1AM-107	E CAPACITOR 100μF,10V
	C5332	QETN1CM-226	E CAPACITOR 22μF,16V
	C5333	QETN1AM-107	E CAPACITOR 100μF,10V
	C5334	QETN1CM-227	E CAPACITOR 220μF,16V
	C5335	QETN1CM-107	E CAPACITOR 100μF,16V
	L5321	QQL01BK-101Z	COIL 100μH
	HS1	LP40090-001A	HEAT SINK,IC5322
	HS2	LP40090-001A	HEAT SINK,Q5321
	OT1	QYTDST3006Z	SCREW,IC5322
	OT2	QYTDST3006Z	SCREW,Q5321
	CN5301	QGF1208C1-19	FPC CONNECTOR,(1-19)SW/REG
	CN5321	QGF1208F1-15	FPC CONNECTOR,(1-15)MAIN
	CN5322	QGF1208F1-13	FPC CONNECTOR,(1-13)MAIN
	CN5323	QGA2001C1-09	CONNECTOR,(1-9)DIGITAL
	CN5325	QGA2001F1-02	CONNECTOR,(1-2)FAN MOTOR
	CN5326	QGA2501C1-04	CONNECTOR,(1-4)HDD
△	CP5322	ICP-N25	CIRCUIT PROTECTOR

\*\*\*\*\*

**MAIN BOARD ASSEMBLY <03>**

PW1	LPA10113-08A	MAIN BOARD ASSY,HDS1EU
	LPA10113-10A	MAIN BOARD ASSY,HDS1EK
IC1	JCP8050-MSA	IC
IC702	MM1113XF	IC
IC703	MM1117XF	IC
IC705	MM1117XF	IC
IC706	PQ05TZ1U	IC
IC707	AN3916	IC
IC710	MM1117XF	IC
IC711	MM1117XF	IC
IC712	MM1113XF	IC
IC2601	BU4052BCF	IC
IC2602	BA15218F-XE	IC
IC2603	BU4052BCF	IC
IC2605	BA15218F-XE	IC
IC2606	BU4052BCF	IC
IC2607	BU4052BCF	IC
IC2608	BA15218F-XE	IC
IC2610	BU4053BCF	IC
IC3001	HD6432194BA28F	IC(MCU)
IC3002	S-80727AN-DQ-X	IC
	or S-80827ANUP-W	IC
IC3003	AT24C16-10PC	IC
	or 24LC16B/P	IC
IC3004	BA6956AN	IC
IC3006	TC7S04F	IC(DIGITAL)
IC3601	BU2090FS	IC
IC3651	BU2090FS	IC
Q1	2SC4081/S/-X	TRANSISTOR
Q2	2SC4081/S/-X	TRANSISTOR
Q3	2SC4081/S/-X	TRANSISTOR
Q4	2SC4081/S/-X	TRANSISTOR
Q5	2SB1218A/QR/-X	TRANSISTOR
	or 2SA1576A/QR/-X	TRANSISTOR
	or 2PA1576/R/-X	TRANSISTOR
Q7	2SD1819A/QRS/-X	TRANSISTOR

#	△ REF No.	PART No.	PART NAME, DESCRIPTION
		or 2PC4081/R/-X	TRANSISTOR
		or 2SC4081/QRS/-X	TRANSISTOR
Q8		2SD1819A/QRS/-X	TRANSISTOR
		or 2SC4081/QRS/-X	TRANSISTOR
		or 2PC4081/R/-X	TRANSISTOR
Q9		2SB1218A/QR/-X	TRANSISTOR
		or 2PA1576/R/-X	TRANSISTOR
		or 2SA1576A/QR/-X	TRANSISTOR
Q10		2SB1218A/QR/-X	TRANSISTOR
		or 2SA1576A/QR/-X	TRANSISTOR
		or 2PA1576/R/-X	TRANSISTOR
Q17		DTC144WU	TRANSISTOR
		or PDTC144WU	TRANSISTOR
		or RN1309	TRANSISTOR
		or UN521E	TRANSISTOR
Q21		2SB1218A/QR/-X	TRANSISTOR
		or 2SA1576A/QR/-X	TRANSISTOR
		or 2PA1576/R/-X	TRANSISTOR
Q24		2SA1576A/QR/-X	TRANSISTOR
		or 2PA1576/R/-X	TRANSISTOR
		or 2SB1218A/QR/-X	TRANSISTOR
Q25		DTC144WU	TRANSISTOR
		or PDTC144WU	TRANSISTOR
		or RN1309	TRANSISTOR
		or UN521E	TRANSISTOR
Q38		2SD1819A/QRS/-X	TRANSISTOR
		or 2PC4081/R/-X	TRANSISTOR
		or 2SC4081/QRS/-X	TRANSISTOR
Q41		DTC144WU	TRANSISTOR
		or PDTC144WU	TRANSISTOR
		or RN1309	TRANSISTOR
		or UN521E	TRANSISTOR
Q401		2SA1576A/QR/-X	TRANSISTOR
Q402		2SA1576A/QR/-X	TRANSISTOR
Q403		DTC144WU	TRANSISTOR
		or PDTC144WU	TRANSISTOR
		or RN1309	TRANSISTOR
		or UN521E	TRANSISTOR
Q404		DTC144WU	TRANSISTOR
		or PDTC144WU	TRANSISTOR
		or RN1309	TRANSISTOR
		or UN521E	TRANSISTOR
Q405		2SA1576A/QR/-X	TRANSISTOR
Q703		2SC4081/QRS/-X	TRANSISTOR
		or 2PC4081/R/-X	TRANSISTOR
		or 2SD1819A/QRS/-X	TRANSISTOR
Q705		2SA1576A/QR/-X	TRANSISTOR
		or 2PA1576/R/-X	TRANSISTOR
		or 2SB1218A/QR/-X	TRANSISTOR
Q706		2SC4081/QRS/-X	TRANSISTOR
		or 2SD1819A/QRS/-X	TRANSISTOR
		or 2PC4081/R/-X	TRANSISTOR
Q708		2SA1576A/QR/-X	TRANSISTOR
		or 2SB1218A/QR/-X	TRANSISTOR
		or 2PA1576/R/-X	TRANSISTOR
Q709		2SA1576A/QR/-X	TRANSISTOR
		or 2PA1576/R/-X	TRANSISTOR
		or 2SB1218A/QR/-X	TRANSISTOR
Q710		2SA1576A/QR/-X	TRANSISTOR
		or 2SB1218A/QR/-X	TRANSISTOR
		or 2PA1576/R/-X	TRANSISTOR



#	△	REF No.	PART No.	PART NAME, DESCRIPTION	#	△	REF No.	PART No.	PART NAME, DESCRIPTION
Q711			2SA1576A/QR/-X	TRANSISTOR	Q3003			PTZ-NV16	PHOTO TRANSISTOR
			or 2PA1576/R/-X	TRANSISTOR				or PTZ-NV16A	PHOTO TRANSISTOR
			or 2SB1218A/QR/-X	TRANSISTOR	Q3004			2SD1819A/QRS/-X	TRANSISTOR
Q712			2SC4081/QRS/-X	TRANSISTOR				or 2SC4081/QRS/-X	TRANSISTOR
			or 2SD1819A/QRS/-X	TRANSISTOR				or 2PC4081/R/-X	TRANSISTOR
			or 2PC4081/R/-X	TRANSISTOR	Q3005			2SD1819A/QRS/-X	TRANSISTOR
Q725			2SA1576A/QR/-X	TRANSISTOR				or 2PC4081/R/-X	TRANSISTOR
			or 2PA1576/R/-X	TRANSISTOR				or 2SC4081/QRS/-X	TRANSISTOR
			or 2SB1218A/QR/-X	TRANSISTOR	Q3007			DTC144WU	TRANSISTOR
Q2001			2SC4081/QRS/-X	TRANSISTOR				or PDTC144WU	TRANSISTOR
			or 2PC4081/R/-X	TRANSISTOR				or RN1309	TRANSISTOR
			or 2SD1819A/QRS/-X	TRANSISTOR				or UN521E	TRANSISTOR
Q2002			2SC4081/QRS/-X	TRANSISTOR	Q3302			DTC144WU	TRANSISTOR
			or 2SD1819A/QRS/-X	TRANSISTOR				or PDTC144WU	TRANSISTOR
			or 2PC4081/R/-X	TRANSISTOR				or RN1309	TRANSISTOR
Q2003			DTA144WU	TRANSISTOR				or UN521E	TRANSISTOR
			or RN2309	TRANSISTOR	Q4001			UN5211	TRANSISTOR
			or UN511E	TRANSISTOR				or RN1302	TRANSISTOR
			or PDTA144WU	TRANSISTOR				or DTC114EU	TRANSISTOR
Q2004			DTC144WU	TRANSISTOR	Q4002			UN5211	TRANSISTOR
			or PDTC144WU	TRANSISTOR				or RN1302	TRANSISTOR
			or RN1309	TRANSISTOR				or DTC114EU	TRANSISTOR
			or UN521E	TRANSISTOR	Q4003			UN5211	TRANSISTOR
Q2011			DTC144WU	TRANSISTOR				or RN1302	TRANSISTOR
			or PDTC144WU	TRANSISTOR				or DTC114EU	TRANSISTOR
			or RN1309	TRANSISTOR	Q6030			2SB1218A/QR/-X	TRANSISTOR
			or UN521E	TRANSISTOR				or 2SA1576A/QR/-X	TRANSISTOR
Q2051			2SC4081/QRS/-X	TRANSISTOR				or 2PA1576/R/-X	TRANSISTOR
			or 2PC4081/R/-X	TRANSISTOR	Q6031			DTC144EU	TRANSISTOR
			or 2SD1819A/QRS/-X	TRANSISTOR	Q6032			DTC144EU	TRANSISTOR
Q2052			2SA1576A/QR/-X	TRANSISTOR	Q7501			2SC1317/RS/-T	TRANSISTOR
			or 2SB1218A/QR/-X	TRANSISTOR	Q7503			DTC144WU	TRANSISTOR
			or 2PA1576/R/-X	TRANSISTOR	D3			NRSA02J-0R0X	MG RESISTOR
Q2053			DTC144WU	TRANSISTOR					0Ω, 1/10W
			or PDTC144WU	TRANSISTOR	D6			MTZJ5.1C	ZENER DIODE
			or RN1309	TRANSISTOR	D706			1SS355	DIODE
			or UN521E	TRANSISTOR	D2001			1SS355	DIODE
Q2054			2SA1576A/QR/-X	TRANSISTOR	D2121			MTZJ8.2C	ZENER DIODE
			or 2PA1576/R/-X	TRANSISTOR	D2201			11ES2	DIODE
			or 2SB1218A/QR/-X	TRANSISTOR				or 1A3G	DIODE
Q2061			2SC4081/QRS/-X	TRANSISTOR	D3001			LNB2301L01VI	LE DIODE
			or 2SD1819A/QRS/-X	TRANSISTOR	D3002			1SS133	DIODE
			or 2PC4081/R/-X	TRANSISTOR	D3003			RD33ES/B2/-T2	ZENER DIODE
Q2062			2SA1576A/QR/-X	TRANSISTOR				or MTZJ33C	ZENER DIODE
			or 2PA1576/R/-X	TRANSISTOR	D3004			11ES2	DIODE
			or 2SB1218A/QR/-X	TRANSISTOR				or 1A3G	DIODE
Q2251			DTA144WU	TRANSISTOR	D3005			11ES2	DIODE
			or RN2309	TRANSISTOR				or 1A3G	DIODE
			or UN511E	TRANSISTOR	D3007			NRSA02J-0R0X	MG RESISTOR
			or PDTA144WU	TRANSISTOR					0Ω, 1/10W
Q2252			DTC114EU	TRANSISTOR	D3008			1SS355	DIODE
			or PDTC114EU	TRANSISTOR	D4001			1SS355	DIODE
			or RN1302	TRANSISTOR	D4002			1SS355	DIODE
			or UN5211	TRANSISTOR	D6002			HZ30-2L-T2	ZENER DIODE
Q2601			2SC4081/QRS/-X	TRANSISTOR				or HZ30-2LTD	Z DIODE (M)
Q2602			2SC4081/QRS/-X	TRANSISTOR	R1			NRVA02D-682X	CMF RESISTOR
Q3001			2SD1819A/QRS/-X	TRANSISTOR					6.8kΩ, 1/10W
			or 2SC4081/QRS/-X	TRANSISTOR	R2			NRVA02D-152X	CMF RESISTOR
			or 2PC4081/R/-X	TRANSISTOR					1.5kΩ, 1/10W
Q3002			PTZ-NV16	PHOTO TRANSISTOR	R5			NRSA02J-0R0X	MG RESISTOR
			or PTZ-NV16A	PHOTO TRANSISTOR					0Ω, 1/10W
					R6			NRSA02J-273X	MG RESISTOR
									27kΩ, 1/10W
					R7			NRSA02J-681X	MG RESISTOR
									680Ω, 1/10W
					R8			NRSA02J-0R0X	MG RESISTOR
									0Ω, 1/10W
					R9			NRSA02J-0R0X	MG RESISTOR
									0Ω, 1/10W
					R21			NRSA02J-222X	MG RESISTOR
									2.2kΩ, 1/10W

#	△ REF No.	PART No.	PART NAME, DESCRIPTION	#	△ REF No.	PART No.	PART NAME, DESCRIPTION
R22		NRSA02J-222X	MG RESISTOR 2.2kΩ,1/10W	R727		NRSA02J-105X	MG RESISTOR 1MΩ,1/10W
R23		NRSA02J-182X	MG RESISTOR 1.8kΩ,1/10W	R767		NRSA02J-0R0X	MG RESISTOR 0Ω,1/10W
R24		NRSA02J-331X	MG RESISTOR 330Ω,1/10W	R768		NRSA02J-0R0X	MG RESISTOR 0Ω,1/10W
R25		NRSA02J-103X	MG RESISTOR 10kΩ,1/10W	R769		NRSA02J-122X	MG RESISTOR 1.2kΩ,1/10W
R26		NRSA02J-682X	MG RESISTOR 6.8kΩ,1/10W	R770		NRSA02J-471X	MG RESISTOR 470Ω,1/10W
R27		NRSA02J-221X	MG RESISTOR 220Ω,1/10W	R771		NRSA02J-471X	MG RESISTOR 470Ω,1/10W
R28		NRSA02J-221X	MG RESISTOR 220Ω,1/10W	R772		NRSA02J-102X	MG RESISTOR 1kΩ,1/10W
R29		NRSA02J-681X	MG RESISTOR 680Ω,1/10W	R773		NRSA02J-223X	MG RESISTOR 22kΩ,1/10W
R30		NRSA02J-0R0X	MG RESISTOR 0Ω,1/10W	R774		NRSA02J-274X	MG RESISTOR 270kΩ,1/10W
R31		NRSA02J-152X	MG RESISTOR 1.5kΩ,1/10W	R775		NRSA02J-183X	MG RESISTOR 18kΩ,1/10W
R32		NRSA02J-471X	MG RESISTOR 470Ω,1/10W	R777		NRSA02J-0R0X	MG RESISTOR 0Ω,1/10W
R33		NDC21HJ-8R0X	CAPACITOR 8pF,50V	VR701		QVPO039-333Z	TRIM RESISTOR,DV AGC
R34		NDC21HJ-390X	CAPACITOR 39pF,50V	R2003		NRSA02J-101X	MG RESISTOR 100Ω,1/10W
R36		NRSA02J-182X	MG RESISTOR 1.8kΩ,1/10W	R2004		NRSA02J-332X	MG RESISTOR 3.3kΩ,1/10W
R38		NRSA02J-102X	MG RESISTOR 1kΩ,1/10W	R2005		NRSA02J-0R0X	MG RESISTOR 0Ω,1/10W
R40		NRSA02J-222X	MG RESISTOR 2.2kΩ,1/10W	R2006		NRSA02J-393X	MG RESISTOR 39kΩ,1/10W
R41		NRSA02J-392X	MG RESISTOR 3.9kΩ,1/10W	R2007		NRSA02J-393X	MG RESISTOR 39kΩ,1/10W
R42		NRSA02J-681X	MG RESISTOR 680Ω,1/10W	R2008		NRSA02J-123X	MG RESISTOR 12kΩ,1/10W
R46		NRSA02J-271X	MG RESISTOR 270Ω,1/10W	R2009		NRSA02J-123X	MG RESISTOR 12kΩ,1/10W
R48		NRSA02J-102X	MG RESISTOR 1kΩ,1/10W	R2010		NRSA02J-123X	MG RESISTOR 12kΩ,1/10W
R51		NRSA02J-122X	MG RESISTOR 1.2kΩ,1/10W	R2011		NRSA02J-103X	MG RESISTOR 10kΩ,1/10W
R68		NRSA02J-222X	MG RESISTOR 2.2kΩ,1/10W	R2012		NRSA02J-153X	MG RESISTOR 15kΩ,1/10W
R70		NRSA02J-0R0X	MG RESISTOR 0Ω,1/10W	R2013		NRSA02J-682X	MG RESISTOR 6.8kΩ,1/10W
R77		NRSA02J-103X	MG RESISTOR 10kΩ,1/10W	R2014		NRSA02J-224X	MG RESISTOR 220kΩ,1/10W
R84		NRSA02J-103X	MG RESISTOR 10kΩ,1/10W	R2015		NRSA02J-181X	MG RESISTOR 180Ω,1/10W
R88		NRSA02J-0R0X	MG RESISTOR 0Ω,1/10W	R2016		NRSA02J-393X	MG RESISTOR 39kΩ,1/10W
R90		NRSA02J-391X	MG RESISTOR 390Ω,1/10W	R2017		NRSA02J-153X	MG RESISTOR 15kΩ,1/10W
R92		NRSA02J-152X	MG RESISTOR 1.5kΩ,1/10W	R2018		NRSA02J-472X	MG RESISTOR 4.7kΩ,1/10W
R93		NRSA02J-222X	MG RESISTOR 2.2kΩ,1/10W	R2019		NRSA02J-472X	MG RESISTOR 4.7kΩ,1/10W
R104		NRSA02J-682X	MG RESISTOR 6.8kΩ,1/10W	R2020		NRSA02J-102X	MG RESISTOR 1kΩ,1/10W
R113		NRSA02J-101X	MG RESISTOR 100Ω,1/10W	R2053		NRSA02J-332X	MG RESISTOR 3.3kΩ,1/10W
R114		NRSA02J-104X	MG RESISTOR 100kΩ,1/10W	R2054		NRSA02J-153X	MG RESISTOR 15kΩ,1/10W
R401		NRSA02J-221X	MG RESISTOR 220Ω,1/10W	R2055		NRSA02J-3R3X	MG RESISTOR 3.3Ω,1/10W
R402		NRSA02J-681X	MG RESISTOR 680Ω,1/10W	R2056		NRSA02J-101X	MG RESISTOR 100Ω,1/10W
R403		NRSA02J-561X	MG RESISTOR 560Ω,1/10W	R2057		NRSA02J-473X	MG RESISTOR 47kΩ,1/10W
R404		NRSA02J-473X	MG RESISTOR 47kΩ,1/10W	R2058		NRSA02J-183X	MG RESISTOR 18kΩ,1/10W
R405		NRSA02J-683X	MG RESISTOR 68kΩ,1/10W	R2059		NRSA02J-473X	MG RESISTOR 47kΩ,1/10W
R406		NRSA02J-393X	MG RESISTOR 39kΩ,1/10W	R2060		NRSA02J-183X	MG RESISTOR 18kΩ,1/10W
R407		NRSA02J-472X	MG RESISTOR 4.7kΩ,1/10W	R2061		NRSA02J-273X	MG RESISTOR 27kΩ,1/10W
R408		NRSA02J-473X	MG RESISTOR 47kΩ,1/10W	R2062		NRSA02J-3R3X	MG RESISTOR 3.3Ω,1/10W
R409		NRSA02J-103X	MG RESISTOR 10kΩ,1/10W	R2063		NRSA02J-151X	MG RESISTOR 150Ω,1/10W
R704		NRSA02J-333X	MG RESISTOR 33kΩ,1/10W	R2064		NRSA02J-473X	MG RESISTOR 47kΩ,1/10W
R705		NRSA02J-223X	MG RESISTOR 22kΩ,1/10W	R2065		NRSA02J-183X	MG RESISTOR 18kΩ,1/10W
R706		NRVA02D-271X	CMF RESISTOR 270Ω,1/10W	R2121		QRE141J-151Y	RESISTOR 150Ω,1/4W
R707		NRVA02D-561X	CMF RESISTOR 560Ω,1/10W	R2206		NRSA02J-101X	MG RESISTOR 100Ω,1/10W
R710		NRSA02J-561X	MG RESISTOR 560Ω,1/10W	R2207		NRSA02J-332X	MG RESISTOR 3.3kΩ,1/10W
R711		NRSA02J-820X	MG RESISTOR 82Ω,1/10W	R2208		NRSA02J-101X	MG RESISTOR 100Ω,1/10W
R712		NRSA02J-682X	MG RESISTOR 6.8kΩ,1/10W	R2209		NRSA02J-101X	MG RESISTOR 100Ω,1/10W
R713		NRSA02J-392X	MG RESISTOR 3.9kΩ,1/10W	R2210		NRSA02J-103X	MG RESISTOR 10kΩ,1/10W
R714		NRSA02J-152X	MG RESISTOR 1.5kΩ,1/10W	R2211		NRSA02J-103X	MG RESISTOR 10kΩ,1/10W
R716		NRSA02J-152X	MG RESISTOR 1.5kΩ,1/10W	R2213		NRSA02J-393X	MG RESISTOR 39kΩ,1/10W
R717		NRSA02J-0R0X	MG RESISTOR 0Ω,1/10W	R2215		NRSA02J-153X	MG RESISTOR 15kΩ,1/10W
R718		NRVA02D-271X	CMF RESISTOR 270Ω,1/10W	R2217		NRSA02J-0R0X	MG RESISTOR 0Ω,1/10W
R719		NRVA02D-471X	CMF RESISTOR 470Ω,1/10W	R2218		NRSA02J-393X	MG RESISTOR 39kΩ,1/10W
R720		NRSA02J-222X	MG RESISTOR 2.2kΩ,1/10W	R2219		NRSA02J-393X	MG RESISTOR 39kΩ,1/10W
R721		NRSA02J-222X	MG RESISTOR 2.2kΩ,1/10W	R2220		NRSA02J-393X	MG RESISTOR 39kΩ,1/10W
R722		NRVA02D-471X	CMF RESISTOR 470Ω,1/10W	R2222		NRSA02J-123X	MG RESISTOR 12kΩ,1/10W
R723		NRVA02D-471X	CMF RESISTOR 470Ω,1/10W	R2223		NRSA02J-123X	MG RESISTOR 12kΩ,1/10W
R724		NRSA02J-102X	MG RESISTOR 1kΩ,1/10W	R2224		NRSA02J-123X	MG RESISTOR 12kΩ,1/10W
R725		NRSA02J-105X	MG RESISTOR 1MΩ,1/10W	R2225		NRSA02J-153X	MG RESISTOR 15kΩ,1/10W
R726		NCB21HK-103X	CAPACITOR 0.01μF,50V	R2226		NRSA02J-123X	MG RESISTOR 12kΩ,1/10W

#	△	REF No.	PART No.	PART NAME, DESCRIPTION	#	△	REF No.	PART No.	PART NAME, DESCRIPTION
R2227			NRSA02J-123X	MG RESISTOR	R2691			NRSA02J-221X	MG RESISTOR
R2228			NRSA02J-103X	MG RESISTOR	R2692			NRSA02J-121X	MG RESISTOR
R2229			NRSA02J-563X	MG RESISTOR	R3011			NRSA02J-0R0X	MG RESISTOR
R2251			NRSA02J-102X	MG RESISTOR	R3012			NRSA02J-0R0X	MG RESISTOR
R2252			NRSA02J-472X	MG RESISTOR	R3013			NRSA02J-0R0X	MG RESISTOR
R2601			NRSA02J-102X	MG RESISTOR	R3016			NRSA02J-0R0X	MG RESISTOR
R2602			NRSA02J-102X	MG RESISTOR	R3018			NRSA02J-472X	MG RESISTOR
R2603			NRSA02J-102X	MG RESISTOR	R3019			NRSA02J-682X	MG RESISTOR
R2604			NRSA02J-102X	MG RESISTOR	R3021			NRSA02J-0R0X	MG RESISTOR
R2605			NRSA02J-103X	MG RESISTOR	R3022			NRSA02J-0R0X	MG RESISTOR
R2606			NRSA02J-102X	MG RESISTOR	R3025			NRSA02J-0R0X	MG RESISTOR
R2607			NRSA02J-102X	MG RESISTOR	R3026			NRSA02J-0R0X	MG RESISTOR
R2608			NRSA02J-102X	MG RESISTOR	R3027			NRSA02J-0R0X	MG RESISTOR
R2609			NRSA02J-102X	MG RESISTOR	R3029			NRSA02J-472X	MG RESISTOR
R2610			NRSA02J-102X	MG RESISTOR	R3030			NRSA02J-472X	MG RESISTOR
R2611			NRSA02J-102X	MG RESISTOR	R3031			NRSA02J-0R0X	MG RESISTOR
R2613			NRSA02J-102X	MG RESISTOR	R3033			NRSA02J-102X	MG RESISTOR
R2614			NRSA02J-103X	MG RESISTOR	R3034			NRSA02J-0R0X	MG RESISTOR
R2616			NRSA02J-102X	MG RESISTOR	R3038			NRSA02J-152X	MG RESISTOR
R2617			NRSA02J-102X	MG RESISTOR	R3040			NRSA02J-0R0X	MG RESISTOR
R2618			NRSA02J-102X	MG RESISTOR	R3041			NRSA02J-0R0X	MG RESISTOR
R2623			NRSA02J-223X	MG RESISTOR	R3042			NRSA02J-0R0X	MG RESISTOR
R2624			NRSA02J-562X	MG RESISTOR	R3044			NRSA02J-0R0X	MG RESISTOR
R2625			NRSA02J-562X	MG RESISTOR	R3046			NRSA02J-102X	MG RESISTOR
R2626			NRSA02J-223X	MG RESISTOR	R3047			NRSA02J-102X	MG RESISTOR
R2627			NRSA02J-102X	MG RESISTOR	R3048			NRSA02J-221X	MG RESISTOR
R2629			NRSA02J-102X	MG RESISTOR	R3049			NRSA02J-0R0X	MG RESISTOR
R2630			NRSA02J-102X	MG RESISTOR	R3050			NRSA02J-0R0X	MG RESISTOR
R2631			NRSA02J-103X	MG RESISTOR	R3051			NRSA02J-471X	MG RESISTOR
R2632			NRSA02J-102X	MG RESISTOR	R3052			NRSA02J-471X	MG RESISTOR
R2633			NRSA02J-102X	MG RESISTOR	R3053			NRSA02J-471X	MG RESISTOR
R2634			NRSA02J-102X	MG RESISTOR	R3054			NRSA02J-0R0X	MG RESISTOR
R2636			NRSA02J-103X	MG RESISTOR	R3055			NRSA02J-0R0X	MG RESISTOR
R2637			NRSA02J-105X	MG RESISTOR	R3056			NRSA02J-102X	MG RESISTOR
R2638			NRSA02J-105X	MG RESISTOR	R3057			NRSA02J-102X	MG RESISTOR
R2651			NRSA02J-102X	MG RESISTOR	R3058			NRSA02J-102X	MG RESISTOR
R2652			NRSA02J-102X	MG RESISTOR	R3059			NRSA02J-471X	MG RESISTOR
R2653			NRSA02J-102X	MG RESISTOR	R3060			NRSA02J-471X	MG RESISTOR
R2654			NRSA02J-102X	MG RESISTOR	R3061			NRSA02J-471X	MG RESISTOR
R2655			NRSA02J-103X	MG RESISTOR	R3062			NRSA02J-103X	MG RESISTOR
R2656			NRSA02J-102X	MG RESISTOR	R3063			NRSA02J-472X	MG RESISTOR
R2657			NRSA02J-102X	MG RESISTOR	R3066			NRSA02J-472X	MG RESISTOR
R2658			NRSA02J-102X	MG RESISTOR	R3069			NRSA02J-101X	MG RESISTOR
R2659			NRSA02J-102X	MG RESISTOR	R3071			NRSA02J-103X	MG RESISTOR
R2660			NRSA02J-221X	MG RESISTOR	R3072			NRSA02J-0R0X	MG RESISTOR
R2661			NRSA02J-103X	MG RESISTOR	R3073			NRSA02J-0R0X	MG RESISTOR
R2662			NRSA02J-221X	MG RESISTOR	R3075			NRSA02J-471X	MG RESISTOR
R2663			NRSA02J-103X	MG RESISTOR	R3076			NRSA02J-471X	MG RESISTOR
R2664			NRSA02J-221X	MG RESISTOR	R3078			NRSA02J-102X	MG RESISTOR
R2665			NRSA02J-103X	MG RESISTOR	R3079			NRSA02J-102X	MG RESISTOR
R2666			NRSA02J-221X	MG RESISTOR	R3083			NRSA02J-0R0X	MG RESISTOR
R2667			NRSA02J-103X	MG RESISTOR	R3085			NRSA02J-0R0X	MG RESISTOR
R2681			NRSA02J-221X	MG RESISTOR	R3086			NRSA02J-0R0X	MG RESISTOR
R2682			NRSA02J-103X	MG RESISTOR	R3087			NRSA02J-0R0X	MG RESISTOR
R2683			NRSA02J-222X	MG RESISTOR	R3088			NRSA02J-0R0X	MG RESISTOR
R2684			NRSA02J-103X	MG RESISTOR	R3089			NRSA02J-0R0X	MG RESISTOR
R2685			NRSA02J-222X	MG RESISTOR	R3091			NRSA02J-102X	MG RESISTOR
R2686			NRSA02J-103X	MG RESISTOR	R3094			NRSA02J-0R0X	MG RESISTOR
R2687			NRSA02J-221X	MG RESISTOR	R3095			NRSA02J-0R0X	MG RESISTOR
R2688			NRSA02J-221X	MG RESISTOR	R3096			NRSA02J-0R0X	MG RESISTOR
R2689			NRSA02J-0R0X	MG RESISTOR	R3097			NRSA02J-0R0X	MG RESISTOR

#	△ REF No.	PART No.	PART NAME, DESCRIPTION	#	△ REF No.	PART No.	PART NAME, DESCRIPTION
R3103		NRSA02J-102X	MG RESISTOR 1kΩ,1/10W	R4007		NRSA02J-102X	MG RESISTOR 1kΩ,1/10W
R3104		NRSA02J-102X	MG RESISTOR 1kΩ,1/10W	R4008		NRSA02J-102X	MG RESISTOR 1kΩ,1/10W
R3105		NRSA02J-0R0X	MG RESISTOR 0Ω,1/10W	R4009		NRSA02J-102X	MG RESISTOR 1kΩ,1/10W
R3106		NRSA02J-102X	MG RESISTOR 1kΩ,1/10W	R4010		NRSA02J-102X	MG RESISTOR 1kΩ,1/10W
R3107		NRSA02J-682X	MG RESISTOR 6.8kΩ,1/10W	R4011		NRSA02J-222X	MG RESISTOR 2.2kΩ,1/10W
R3201		NRSA02J-103X	MG RESISTOR 10kΩ,1/10W	R4012		NRSA02J-222X	MG RESISTOR 2.2kΩ,1/10W
R3202		NRSA02J-472X	MG RESISTOR 4.7kΩ,1/10W	R4013		NRSA02J-102X	MG RESISTOR 1kΩ,1/10W
R3203		NRSA02J-103X	MG RESISTOR 10kΩ,1/10W	R4014		NRSA02J-222X	MG RESISTOR 2.2kΩ,1/10W
R3204		NRSA02J-222X	MG RESISTOR 2.2kΩ,1/10W	R4015		NRSA02J-223X	MG RESISTOR 22kΩ,1/10W
R3205		QRE141J-181Y	RESISTOR 180Ω,1/4W	R4016		NRSA02J-103X	MG RESISTOR 10kΩ,1/10W
R3206		NRSA02J-183X	MG RESISTOR 18kΩ,1/10W	R4017		NRSA02J-102X	MG RESISTOR 1kΩ,1/10W
R3207		NRSA02J-183X	MG RESISTOR 18kΩ,1/10W	R4018		NRSA02J-102X	MG RESISTOR 1kΩ,1/10W
R3208		NRSA02J-181X	MG RESISTOR 180Ω,1/10W	R4019		NRSA02J-103X	MG RESISTOR 10kΩ,1/10W
R3209		NRSA02J-273X	MG RESISTOR 27kΩ,1/10W	R4020		NRSA02J-103X	MG RESISTOR 10kΩ,1/10W
R3210		NRSA02J-181X	MG RESISTOR 180Ω,1/10W	R4021		NRSA02J-103X	MG RESISTOR 10kΩ,1/10W
R3211		NRSA02J-273X	MG RESISTOR 27kΩ,1/10W	R6020		NRSA02J-471X	MG RESISTOR 470Ω,1/10W
R3212		NRSA02J-474X	MG RESISTOR 470kΩ,1/10W	R6021		NRSA02J-471X	MG RESISTOR 470Ω,1/10W
R3213		NRSA02J-334X	MG RESISTOR 330kΩ,1/10W	R6022		NRSA02J-471X	MG RESISTOR 470Ω,1/10W
R3214		NRSA02J-103X	MG RESISTOR 10kΩ,1/10W	R6030		NRSA02J-102X	MG RESISTOR 1kΩ,1/10W
R3215		NRSA02J-103X	MG RESISTOR 10kΩ,1/10W	R6031		NRSA02J-0R0X	MG RESISTOR 0Ω,1/10W
R3216		NRSA02J-103X	MG RESISTOR 10kΩ,1/10W	R6032		NRSA02J-332X	MG RESISTOR 3.3kΩ,1/10W
R3217		NRSA02J-562X	MG RESISTOR 5.6kΩ,1/10W	R6033		NRSA02J-182X	MG RESISTOR 1.8kΩ,1/10W
R3218		QRE141J-472Y	RESISTOR 4.7kΩ,1/4W	R6060		NRSA02J-103X	MG RESISTOR 10kΩ,1/10W
R3219		NRSA02J-472X	MG RESISTOR 4.7kΩ,1/10W	R6061		NRSA02J-103X	MG RESISTOR 10kΩ,1/10W
R3220		NRSA02J-104X	MG RESISTOR 100kΩ,1/10W	R6508		NRSA02J-0R0X	MG RESISTOR 0Ω,1/10W
R3222		NRSA02J-472X	MG RESISTOR 4.7kΩ,1/10W	R6510		NRSA02J-0R0X	MG RESISTOR 0Ω,1/10W
R3223		NRSA02J-472X	MG RESISTOR 4.7kΩ,1/10W	R6553		NRSA02J-0R0X	MG RESISTOR 0Ω,1/10W
R3224		NRSA02J-472X	MG RESISTOR 4.7kΩ,1/10W	R6554		NRSA02J-0R0X	MG RESISTOR 0Ω,1/10W
R3225		NRSA02J-103X	MG RESISTOR 10kΩ,1/10W	R7505		NRSA02J-221X	MG RESISTOR 220Ω,1/10W
R3229		NRSA02J-105X	MG RESISTOR 1MΩ,1/10W	R7506		NRSA02J-472X	MG RESISTOR 4.7kΩ,1/10W
R3230		NRSA02J-472X	MG RESISTOR 4.7kΩ,1/10W	R7507		QRE121J-100Y	RESISTOR 10Ω,1/2W
R3231		NRSA02J-102X	MG RESISTOR 1kΩ,1/10W	R7512		NRSA02J-562X	MG RESISTOR 5.6kΩ,1/10W
R3233		NRSA02J-103X	MG RESISTOR 10kΩ,1/10W	B3		NRSA02J-0R0X	MG RESISTOR 0Ω,1/10W
R3234		NRSA02J-103X	MG RESISTOR 10kΩ,1/10W	B8		NRSA02J-0R0X	MG RESISTOR 0Ω,1/10W
R3235		NRSA02J-102X	MG RESISTOR 1kΩ,1/10W	B18		NRSA02J-0R0X	MG RESISTOR 0Ω,1/10W
R3236		NRSA02J-102X	MG RESISTOR 1kΩ,1/10W	B37		NRSA02J-0R0X	MG RESISTOR 0Ω,1/10W
R3238		NRSA02J-103X	MG RESISTOR 10kΩ,1/10W	B38		NRSA02J-0R0X	MG RESISTOR 0Ω,1/10W
R3241		NRSA02J-104X	MG RESISTOR 100kΩ,1/10W	B42		NRSA02J-0R0X	MG RESISTOR 0Ω,1/10W
R3245		NRSA02J-472X	MG RESISTOR 4.7kΩ,1/10W	B49		NRSA02J-0R0X	MG RESISTOR 0Ω,1/10W
R3251		NRSA02J-103X	MG RESISTOR 10kΩ,1/10W	B701		NRSA02J-0R0X	MG RESISTOR 0Ω,1/10W
R3258		NRSA02J-472X	MG RESISTOR 4.7kΩ,1/10W	B710		NRSA02J-0R0X	MG RESISTOR 0Ω,1/10W
R3381		NRSA02J-0R0X	MG RESISTOR 0Ω,1/10W	B714		NRSA02J-0R0X	MG RESISTOR 0Ω,1/10W
R3601		NRSA02J-222X	MG RESISTOR 2.2kΩ,1/10W	B717		NRSA02J-0R0X	MG RESISTOR 0Ω,1/10W
R3602		NRSA02J-222X	MG RESISTOR 2.2kΩ,1/10W	B722		NRSA02J-0R0X	MG RESISTOR 0Ω,1/10W
R3603		NRSA02J-222X	MG RESISTOR 2.2kΩ,1/10W	B729		NRSA02J-0R0X	MG RESISTOR 0Ω,1/10W
R3604		NRSA02J-222X	MG RESISTOR 2.2kΩ,1/10W	B730		NRSA02J-0R0X	MG RESISTOR 0Ω,1/10W
R3605		NRSA02J-222X	MG RESISTOR 2.2kΩ,1/10W	B734		NRSA02J-0R0X	MG RESISTOR 0Ω,1/10W
R3606		NRSA02J-222X	MG RESISTOR 2.2kΩ,1/10W	B737		NRSA02J-0R0X	MG RESISTOR 0Ω,1/10W
R3607		NRSA02J-222X	MG RESISTOR 2.2kΩ,1/10W	B740		NRSA02J-0R0X	MG RESISTOR 0Ω,1/10W
R3608		NRSA02J-222X	MG RESISTOR 2.2kΩ,1/10W	B2011		NRSA02J-0R0X	MG RESISTOR 0Ω,1/10W
R3609		NRSA02J-222X	MG RESISTOR 2.2kΩ,1/10W	B2601		NRSA02J-0R0X	MG RESISTOR 0Ω,1/10W
R3610		NRSA02J-222X	MG RESISTOR 2.2kΩ,1/10W	B2602		NRSA02J-0R0X	MG RESISTOR 0Ω,1/10W
R3611		NRSA02J-222X	MG RESISTOR 2.2kΩ,1/10W	B2607		NRSA02J-0R0X	MG RESISTOR 0Ω,1/10W
R3612		NRSA02J-103X	MG RESISTOR 10kΩ,1/10W	B2608		NRSA02J-0R0X	MG RESISTOR 0Ω,1/10W
R3613		NRSA02J-103X	MG RESISTOR 10kΩ,1/10W	B2610		NRSA02J-0R0X	MG RESISTOR 0Ω,1/10W
R3616		NRSA02J-0R0X	MG RESISTOR 0Ω,1/10W	B3011		NQR0227-003X	FERRITE CORE
R3618		NRSA02J-102X	MG RESISTOR 1kΩ,1/10W	B3013		NRSA02J-101X	MG RESISTOR 100Ω,1/10W
R4001		NRSA02J-472X	MG RESISTOR 4.7kΩ,1/10W	B3014		NQR0227-003X	FERRITE CORE
R4003		NRSA02J-561X	MG RESISTOR 560Ω,1/10W	B3017		NRSA02J-0R0X	MG RESISTOR 0Ω,1/10W
R4004		NRSA02J-561X	MG RESISTOR 560Ω,1/10W	B3018		NRSA02J-0R0X	MG RESISTOR 0Ω,1/10W
R4005		NRSA02J-562X	MG RESISTOR 5.6kΩ,1/10W	B3019		NRSA02J-102X	MG RESISTOR 1kΩ,1/10W

#	△	REF No.	PART No.	PART NAME, DESCRIPTION	#	△	REF No.	PART No.	PART NAME, DESCRIPTION	
B3021			NRSA02J-0R0X	MG RESISTOR	0Ω,1/10W	C72		NDC21HJ-470X	CAPACITOR	47pF,50V
B3022			NRSA02J-0R0X	MG RESISTOR	0Ω,1/10W	C73		NDC21HJ-120X	CAPACITOR	12pF,50V
B3023			NRSA02J-0R0X	MG RESISTOR	0Ω,1/10W	C80		NCB21HK-103X	CAPACITOR	0.01μF,50V
B3025			NRSA02J-0R0X	MG RESISTOR	0Ω,1/10W	C84		NRSA02J-682X	MG RESISTOR	6.8kΩ,1/10W
B3027			NRSA02J-0R0X	MG RESISTOR	0Ω,1/10W	C93		NDC21HJ-220X	CAPACITOR	22pF,50V
B6001			NRSA02J-0R0X	MG RESISTOR	0Ω,1/10W	C94		NRSA02J-0R0X	MG RESISTOR	0Ω,1/10W
B6032			NRSA02J-0R0X	MG RESISTOR	0Ω,1/10W	C103		NCB21HK-103X	CAPACITOR	0.01μF,50V
B6566			NRSA02J-0R0X	MG RESISTOR	0Ω,1/10W	C106		NCB21HK-821X	CAPACITOR	820pF,50V
B7501			NRSA02J-0R0X	MG RESISTOR	0Ω,1/10W	C108		NDC21HJ-680X	CAPACITOR	68pF,50V
B7503			NRSA02J-0R0X	MG RESISTOR	0Ω,1/10W	C109		NCB21CK-224X	CAPACITOR	0.22μF,16V
B7509			NRSA02J-0R0X	MG RESISTOR	0Ω,1/10W	C110		NDC21HJ-820X	CAPACITOR	82pF,50V
B7510			NRSA02J-0R0X	MG RESISTOR	0Ω,1/10W	C114		NDC21HJ-181X	CAPACITOR	180pF,50V
B7512			NRSA02J-0R0X	MG RESISTOR	0Ω,1/10W	C131		NCB21HK-103X	CAPACITOR	0.01μF,50V
B7514			NRSA02J-0R0X	MG RESISTOR	0Ω,1/10W	C401		NCB21HK-103X	CAPACITOR	0.01μF,50V
B7518			NRSA02J-0R0X	MG RESISTOR	0Ω,1/10W	C402		NCB21HK-223X	CAPACITOR	0.022μF,50V
B7519			NRSA02J-0R0X	MG RESISTOR	0Ω,1/10W	C403		NDC21HJ-131X	CAPACITOR	130pF,50V
C1			NCB21EK-103X	CAPACITOR	0.01μF,25V	C404		NDC21HJ-470X	CAPACITOR	47pF,50V
C2			NCB21EK-103X	CAPACITOR	0.01μF,25V	C406		NCB21HK-102X	CAPACITOR	0.001μF,50V
C3			NCB21EK-103X	CAPACITOR	0.01μF,25V	C407		NDC21HJ-150X	CAPACITOR	15pF,50V
C4			NCB21EK-103X	CAPACITOR	0.01μF,25V	C704		NCB21HK-103X	CAPACITOR	0.01μF,50V
C5			QEKJ0JM-476	E CAPACITOR	47μF,6.3V	C706		QEKJ0JM-476	E CAPACITOR	47μF,6.3V
C6			NCB11EK-104X	CAPACITOR	0.1μF,25V	C708		NCB21HK-103X	CAPACITOR	0.01μF,50V
C7			NCB21HK-102X	CAPACITOR	0.001μF,50V	C709		QEKJ0JM-337	E CAPACITOR	330μF,6.3V
C8			NCB21EK-104X	CAPACITOR	0.1μF,25V	C710		NCB21HK-103X	CAPACITOR	0.01μF,50V
C9			QEKJ1HM-225	E CAPACITOR	2.2μF,50V	C712		NCB21HK-103X	CAPACITOR	0.01μF,50V
C10			NDC21HG-151X	CAPACITOR	150pF,50V	C713		NCB21HK-103X	CAPACITOR	0.01μF,50V
C11			NCB21EK-104X	CAPACITOR	0.1μF,25V	C714		NCB21HK-103X	CAPACITOR	0.01μF,50V
C14			NCB21EK-104X	CAPACITOR	0.1μF,25V	C715		QEKJ1CM-226	E CAPACITOR	22μF,16V
C15			NCB21EK-103X	CAPACITOR	0.01μF,25V	C718		QEKJ1HM-225	E CAPACITOR	2.2μF,50V
C16			NCB11EK-104X	CAPACITOR	0.1μF,25V	C719		NCB21HK-103X	CAPACITOR	0.01μF,50V
C17			QEKJ1HM-335	E CAPACITOR	3.3μF,50V	C720		QEKJ1HM-225	E CAPACITOR	2.2μF,50V
C19			QEKJ1HM-225	E CAPACITOR	2.2μF,50V	C721		NDC21HJ-101X	CAPACITOR	100pF,50V
C20			QEKJ1HM-105	E CAPACITOR	1μF,50V	C722		NCB21HK-103X	CAPACITOR	0.01μF,50V
C21			NCB21EK-104X	CAPACITOR	0.1μF,25V	C757		QEKJ1HM-225	E CAPACITOR	2.2μF,50V
C22			QEKJ0JM-476	E CAPACITOR	47μF,6.3V	C758		NDC21HJ-101X	CAPACITOR	100pF,50V
C23			NCB21EK-104X	CAPACITOR	0.1μF,25V	C759		QEPF1HM-225	NP E CAPACITOR	2.2μF,50V
C24			NCB21EK-104X	CAPACITOR	0.1μF,25V	C760		NCB21HK-103X	CAPACITOR	0.01μF,50V
C25			NDC21HJ-6R0X	CAPACITOR	6pF,50V	C761		QEKJ1HM-225	E CAPACITOR	2.2μF,50V
C26			NCB21EK-104X	CAPACITOR	0.1μF,25V	C762		NDC21HJ-101X	CAPACITOR	100pF,50V
C27			NCB21HK-223X	CAPACITOR	0.022μF,50V	C763		QEKJ1HM-105	E CAPACITOR	1μF,50V
C28			QEKJ1HM-335	E CAPACITOR	3.3μF,50V	C764		QEKJ0JM-107	E CAPACITOR	100μF,6.3V
C29			NCB21EK-333X	CAPACITOR	0.033μF,25V	C765		NCB21HK-332X	CAPACITOR	0.0033μF,50V
C30			NCB21CK-474X	CAPACITOR	0.47μF,16V	C766		NCB21HK-103X	CAPACITOR	0.01μF,50V
C31			QEKJ0JM-476	E CAPACITOR	47μF,6.3V	C767		NCB21HK-473X	CAPACITOR	0.047μF,50V
C33			QEKJ1HM-225	E CAPACITOR	2.2μF,50V	C768		QEKJ1EM-475	E CAPACITOR	4.7μF,25V
C34			NCB21EK-104X	CAPACITOR	0.1μF,25V	C769		QEKJ1CM-106	E CAPACITOR	10μF,16V
C35			NCB21HK-103X	CAPACITOR	0.01μF,50V	C770		QEKJ1CM-106	E CAPACITOR	10μF,16V
C36			QEKJ1EM-475	E CAPACITOR	4.7μF,25V	C771		QEKJ1EM-475	E CAPACITOR	4.7μF,25V
C37			NCB21AK-105X	CAPACITOR	1μF,10V	C772		NCB21HK-103X	CAPACITOR	0.01μF,50V
C38			QEKJ0JM-476	E CAPACITOR	47μF,6.3V	C773		NDC21HJ-470X	CAPACITOR	47pF,50V
C39			NCB21EK-104X	CAPACITOR	0.1μF,25V	C784		QEKJ1HM-225	E CAPACITOR	2.2μF,50V
C40			QEKJ1CM-106	E CAPACITOR	10μF,16V	C785		NDC21HJ-680X	CAPACITOR	68pF,50V
C53			NDC21HJ-101X	CAPACITOR	100pF,50V	C786		QEKJ1CM-106	E CAPACITOR	10μF,16V
C59			NCB21EK-104X	CAPACITOR	0.1μF,25V	C788		NCB21HK-103X	CAPACITOR	0.01μF,50V
C60			QEKJ0JM-476	E CAPACITOR	47μF,6.3V	C790		NCB21HK-103X	CAPACITOR	0.01μF,50V
C61			NCB21HK-103X	CAPACITOR	0.01μF,50V	C791		QEKJ0JM-476	E CAPACITOR	47μF,6.3V
C63			NCB21EK-104X	CAPACITOR	0.1μF,25V	C794		QEKJ1HM-225	E CAPACITOR	2.2μF,50V
C64			NDC21HJ-220X	CAPACITOR	22pF,50V	C795		QEKJ1HM-225	E CAPACITOR	2.2μF,50V
C65			QEKJ1HM-105	E CAPACITOR	1μF,50V	C796		NCB21HK-103X	CAPACITOR	0.01μF,50V
C69			NCB21EK-104X	CAPACITOR	0.1μF,25V	C797		QEKJ1HM-225	E CAPACITOR	2.2μF,50V
C70			NCB21EK-104X	CAPACITOR	0.1μF,25V	C799		QEKJ0JM-476	E CAPACITOR	47μF,6.3V

#	△ REF No.	PART No.	PART NAME, DESCRIPTION	#	△ REF No.	PART No.	PART NAME, DESCRIPTION
C800		NCB21HK-103X	CAPACITOR	C2603		NDC21HJ-101X	CAPACITOR
C801		NCB21HK-103X	0.01μF,50V	C2604		QEKJ1CM-476	E CAPACITOR
C802		NCB21HK-103X	0.01μF,50V	C2605		QEKJ1CM-106	E CAPACITOR
C803		NCB21HK-103X	0.01μF,50V	C2606		QEKJ1HM-105	E CAPACITOR
C2001		QETJ1HM-475	E CAPACITOR	C2607		QEKJ1HM-105	E CAPACITOR
C2002		QEKJ1CM-106	E CAPACITOR	C2610		NDC21HJ-101X	CAPACITOR
C2003		QEKJ0JM-476	E CAPACITOR	C2611		NDC21HJ-101X	CAPACITOR
C2004		NCB21HK-103X	CAPACITOR	C2612		QEKJ1CM-106	E CAPACITOR
C2005		QEKJ1EM-475	E CAPACITOR	C2651		QEKJ1CM-106	E CAPACITOR
C2006		NCB21HK-123X	CAPACITOR	C2652		QEKJ1CM-106	E CAPACITOR
C2007		QEKJ1CM-226	E CAPACITOR	C2653		NDC21HJ-101X	CAPACITOR
C2008		QEKJ1EM-475	E CAPACITOR	C2654		NDC21HJ-101X	CAPACITOR
C2009		NCB21HK-122X	CAPACITOR	C2655		QEKJ1CM-106	E CAPACITOR
C2010		NCB21HK-152X	CAPACITOR	C2681		QEKJ1CM-106	E CAPACITOR
C2011		QEKJ1EM-475	E CAPACITOR	C2682		QEKJ1CM-476	E CAPACITOR
C2012		QEKJ1EM-475	E CAPACITOR	C2683		QEKJ1CM-476	E CAPACITOR
C2013		NCB21HK-331X	CAPACITOR	C3001		NCB21EK-104X	CAPACITOR
C2021		NCB21HK-103X	CAPACITOR	C3002		NCB21HK-103X	CAPACITOR
C2051		NCB21HK-331X	CAPACITOR	C3003		QEKJ1CM-106	E CAPACITOR
C2052		QFLC1HJ-333Z	F CAPACITOR	C3004		NCB21EK-104X	CAPACITOR
C2053		NCB21HK-472X	CAPACITOR	C3008		NCB21HK-102X	CAPACITOR
C2054		NCB21HK-103X	CAPACITOR	C3010		QEZO244-229	EDL CAPACITOR
C2055		QEKJ1CM-106	E CAPACITOR	C3012		QEKJ0JM-107	E CAPACITOR
C2061		QFLC1HJ-333Z	F CAPACITOR	C3015		NCB21EK-104X	CAPACITOR
C2062		NCB21HK-332X	CAPACITOR	C3016		NCB21EK-104X	CAPACITOR
C2063		NCB21HK-103X	CAPACITOR	C3022		NCB21EK-104X	CAPACITOR
C2064		QEKJ1CM-106	E CAPACITOR	C3024		NDC21HJ-120X	CAPACITOR,HDS1EK
C2121		QEKJ1CM-476	E CAPACITOR			NDC21HJ-220X	CAPACITOR,HDS1EU
C2201		NCB21EK-104X	CAPACITOR	C3025		QAT3725-300Z	TRIM CAPACITOR,TIMER CLOCK,HDS1EU
C2202		NCB21EK-333X	CAPACITOR	C3027		QERF1CM-106	E CAPACITOR
C2203		QEKJ1CM-106	E CAPACITOR	C3030		QERF1CM-226	E CAPACITOR
C2204		NCB21HK-102X	CAPACITOR	C3031		NCB21EK-104X	CAPACITOR
C2205		QEKJ1HM-105	E CAPACITOR	C3032		NCB21EK-104X	CAPACITOR
C2207		QEKJ1CM-476	E CAPACITOR	C3033		NCB21EK-104X	CAPACITOR
C2208		QETJ1HM-475	E CAPACITOR	C3036		NDC21HJ-180X	CAPACITOR
C2213		QEKJ1CM-106	E CAPACITOR	C3037		NDC21HJ-120X	CAPACITOR
C2214		QEKJ1CM-106	E CAPACITOR	C3040		NCB21HK-103X	CAPACITOR
C2215		QERF1EM-475	E CAPACITOR	C3041		NDC21HJ-100X	CAPACITOR,HDS1EK
C2216		QEKJ1HM-474	E CAPACITOR	C3042		QETJ0JM-477	E CAPACITOR
C2217		QEKJ1CM-106	E CAPACITOR	C3054		NCB21EK-104X	CAPACITOR
C2218		QEKJ1HM-474	E CAPACITOR	C3602		NCB21EK-104X	CAPACITOR
C2219		QEKJ1CM-106	E CAPACITOR	C3652		NCB21EK-104X	CAPACITOR
C2220		QEKJ1EM-475	E CAPACITOR	C4002		NCB21EK-104X	CAPACITOR
C2221		NCB21HK-103X	CAPACITOR	C4003		NCB21HK-102X	CAPACITOR
C2222		QEKJ1HM-474	E CAPACITOR	C4004		QERF1CM-226	E CAPACITOR
C2223		QEKJ1HM-474	E CAPACITOR	C4006		QERF0JM-476	E CAPACITOR
C2224		NCB21HK-103X	CAPACITOR	C4007		NCB21HJ-102X	CAPACITOR
C2225		QEKJ1EM-475	E CAPACITOR	C4008		NCB21AK-105X	CAPACITOR
C2226		QEKJ1CM-106	E CAPACITOR	C4009		NCB21HK-563X	CAPACITOR
C2227		NCB21CK-104X	CAPACITOR	C4010		NCB21EK-223X	CAPACITOR
C2228		NCB21CK-104X	CAPACITOR	C4011		NCB21EK-104X	CAPACITOR
C2229		NDC21HJ-101X	CAPACITOR	C4012		NCB21EK-224X	CAPACITOR
C2230		NDC21HJ-101X	CAPACITOR	C4013		NCB21HK-563X	CAPACITOR
C2231		NCB21HK-222X	CAPACITOR	C4014		NDC21HJ-101X	CAPACITOR
C2251		QEKJ1CM-476	E CAPACITOR	C4015		NDC21HJ-331X	CAPACITOR
C2252		NCB21HK-103X	CAPACITOR	C4016		NCB21HK-681X	CAPACITOR
C2253		NCB21CK-104X	CAPACITOR	C4017		NCB21HK-222X	CAPACITOR
C2254		NCB21CK-104X	CAPACITOR	C6007		QEKJ0JM-337	E CAPACITOR
C2255		NDC21HJ-181X	CAPACITOR	C6014		NCB21HK-103X	CAPACITOR
C2601		QEKJ1CM-106	E CAPACITOR	C6023		NCB21HK-103X	CAPACITOR
C2602		NDC21HJ-101X	CAPACITOR	C6032		NCB21HK-473X	CAPACITOR
			100pF,50V				100pF,50V
			0.01μF,50V				47μF,16V
			0.01μF,50V				10μF,16V
			0.01μF,50V				1μF,50V
			4.7μF,50V				1μF,50V
			10μF,16V				100pF,50V
			47μF,6.3V				100pF,50V
			0.01μF,50V				10μF,16V
			4.7μF,25V				10μF,16V
			0.012μF,50V				10μF,16V
			22μF,16V				100pF,50V
			4.7μF,25V				100pF,50V
			0.0012μF,50V				10μF,16V
			0.0015μF,50V				10μF,16V
			4.7μF,25V				47μF,16V
			4.7μF,25V				47μF,16V
			330pF,50V				47μF,16V
			0.01μF,50V				0.1μF,25V
			330pF,50V				0.01μF,50V
			0.033μF,50V				10μF,16V
			0.0047μF,50V				10μF,16V
			0.01μF,50V				0.1μF,25V
			10μF,16V				10μF,16V
			0.033μF,50V				0.1μF,25V
			0.0033μF,50V				0.001μF,50V
			0.01μF,50V				0.0022F,5.5V
			10μF,16V				100μF,6.3V
			0.033μF,25V				0.1μF,25V
			10μF,16V				0.1μF,25V
			0.001μF,50V				0.1μF,25V
			1μF,50V				0.1μF,25V
			47μF,16V				0.1μF,25V
			4.7μF,50V				0.1μF,25V
			10μF,16V				18pF,50V
			10μF,16V				12pF,50V
			4.7μF,25V				0.01μF,50V
			0.47μF,50V				10pF,50V
			10μF,16V				470μF,6.3V
			0.47μF,50V				0.1μF,25V
			10μF,16V				0.1μF,25V
			0.47μF,50V				0.1μF,25V
			10μF,16V				0.1μF,25V
			4.7μF,25V				0.1μF,25V
			0.01μF,50V				0.1μF,25V
			0.47μF,50V				0.001μF,50V
			0.47μF,50V				22μF,16V
			0.01μF,50V				47μF,6.3V
			4.7μF,25V				0.001μF,50V
			10μF,16V				1μF,10V
			0.1μF,16V				0.056μF,50V
			0.1μF,16V				0.022μF,25V
			100pF,50V				0.1μF,25V
			100pF,50V				0.22μF,25V
			0.0022μF,50V				0.22μF,25V
			47μF,16V				0.056μF,50V
			0.01μF,50V				100pF,50V
			0.1μF,16V				330pF,50V
			0.1μF,16V				680pF,50V
			180pF,50V				0.0022μF,50V
			10μF,16V				330μF,6.3V
			100pF,50V				0.01μF,50V
			100pF,50V				0.01μF,50V
			100pF,50V				0.047μF,50V

#	△ REF No.	PART No.	PART NAME, DESCRIPTION
C6033		NRSA02J-0R0X	MG RESISTOR 0Ω,1/10W
C6037		QEKJ1CM-106	E CAPACITOR 10μF,16V
C6553		QEKJ0JM-337	E CAPACITOR 330μF,6.3V
C6555		NCF21EZ-104X	CAPACITOR 0.1μF,25V
C7503		QETJ0JM-477	E CAPACITOR 470μF,6.3V
C7515		NCB21EK-104X	CAPACITOR 0.1μF,25V
C7516		NDC21HJ-101X	CAPACITOR 100pF,50V
L1		QQL29BJ-100Z	COIL 10μH
L3		QQL29BJ-100Z	COIL 10μH
L4		QQL29BJ-100Z	COIL 10μH
L5		QQR0521-012Z	NOISE FILTER
L12		QQR0967-001	COIL 12μH
L13		QQL231J-330Y	COIL 33μH
L15		QQL29BJ-100Z	COIL 10μH
L17		QQL231J-5R6Y	COIL 5.6μH
L18		QQL231J-220Y	COIL 22μH
L19		QQL231J-120Y	COIL 12μH
L20		QQL231J-680Y	COIL 68μH
L24		QQL231J-270Y	COIL 27μH
L26		QUY153-050Y	IM BUS WIRE
L27		QQL231J-330Y	COIL 33μH
L28		QQL231J-680Y	COIL 68μH
L401		QQL071J-150Y	COIL 15μH
L402		QUY153-050Y	IM BUS WIRE
L701		QQL29BJ-4R7Z	COIL 4.7μH
L702		QQL29BJ-4R7Z	COIL 4.7μH
L714		QQL29BJ-4R7Z	COIL 4.7μH
L715		QQL29BJ-4R7Z	COIL 4.7μH
L2001		QQL29BJ-100Z	COIL 10μH
L2251		QQL29BJ-100Z	COIL 10μH
L2252		QQL29BJ-151Z	COIL 150μH
L3001		QRE141J-0R0Y	RESISTOR 0Ω,1/4W
L3011		QRE141J-0R0Y	RESISTOR 0Ω,1/4W
L3012		QRE141J-0R0Y	RESISTOR 0Ω,1/4W
L6001		QQL29BJ-100Z	COIL 10μH
L6002		QQL29BJ-100Z	COIL 10μH
L6005		QQL29BJ-100Z	COIL 10μH
L6032		QUY153-050Y	IM BUS WIRE
L7501		QQL29BJ-101Z	COIL 100μH
X1		QAX0576-001	CRYSTAL RESONATOR
X3001		QAX0444-001	CRYSTAL RESONATOR,HDS1EK
		QAX0445-001	CRYSTAL RESONATOR,HDS1EU
X3002		QAX0527-001	CRYSTAL RESONATOR
S3001		QSW0602-004	PUSH SWITCH,REC SAFETY
S3002		QSW0695-001	PUSH SWITCH,S.CASS.SW
K2001		NQL092M-47NX	COIL
K2002		NQL092M-47NX	COIL
K2251		NRSA02J-0R0X	MG RESISTOR 0Ω,1/10W
K2252		NRSA02J-0R0X	MG RESISTOR 0Ω,1/10W
K2253		NRSA02J-0R0X	MG RESISTOR 0Ω,1/10W
K6080		NRSA02J-103X	MG RESISTOR 10kΩ,1/10W
PC3001		GP3S123	IC(PHOTO SENSOR
PC3002		GP3S123	IC(PHOTO SENSOR
T2051		PELN0860	OSC TRANSFORMER
T2052		PELN0861	OSC TRANSFORMER
TU6001		QAU0150-002	TUNER
SD1		LP30644-001A	SHIELD CASE(PRE)
OT1		LP40229-002A	PLATE,TU6001
OT2		PU59915-105	#500SPACER0.01,PLATE
OT3		PU59915-105	#500SPACER0.01,WR3002
WR100		QUQ112-1414CG	FFC WIRE,S-SUB

#	△ REF No.	PART No.	PART NAME, DESCRIPTION
WR3002		QUB351-15A4A4	SIN TWIST WIRE
CN1		QGF1028C1-13	FPC CONNECTOR,(1-13)U.DRUM
CN703		QGA2001C1-06	CONNECTOR,(1-6)DIGITAL
CN2001		QGF1207C1-07	FPC CONNECTOR,(1-7)A/C HEAD
CN2002		QGB2532J1-02	CONNECTOR,(1-2)FE HEAD
CN2601		QGF1016C3-08	FFC/FPC CONNECTOR,(1-9)DIGITAL
CN3001		QGF1207C1-05	FPC CONNECTOR,(1-5)DRUM
CN3002		QGB2532J1-02	CONNECTOR,(1-2)LOADING MOTOR
CN3003		QGB2015M2-08	CONNECTOR,(1-8)CAPSTAN MOTOR
CN3004		QGB2534J2-04	CONNECTOR,(1-4)ROTARY ENCODER
CN3011		QGF1209F2-18	FFC/FPC CONNECTOR,(1-18)SW/DISPLAY
CN3014		QGF1016C3-06	FFC/FPC CONNECTOR,(1-6)DIGITAL
CN7501		QGB2024K1-15S	CONNECTOR,(1-15)TERMINAL
CN7502		QGB2024K1-05S	CONNECTOR,(1-5)TERMINAL
CN7503		QGB2024K1-14S	CONNECTOR,(1-14)TERMINAL
CN7504		QGB2024K1-11S	CONNECTOR,(1-11)TERMINAL
CN7506		QGF1207C1-14	FPC CONNECTOR,(1-14)S-SUB
CN7507		QGF1209F2-10	FFC/FPC CONNECTOR,(1-10)JACK
CN7508		QGF1207C1-13	FPC CONNECTOR,(1-13)REG
CN7509		QGF1207C1-15	FPC CONNECTOR,(1-15)REG
△ CP3002		ICP-N15	CIRCUIT PROTECTOR
△ CP3003		ICP-N25	CIRCUIT PROTECTOR
△ CP3004		ICP-N15	CIRCUIT PROTECTOR
△ CP4001		ICP-N25	CIRCUIT PROTECTOR

\*\*\*\*\*

**3D DIGITAL/2M BOARD ASSEMBLY <05>**

PW1	LPA10105-03A	3D DIGITAL/2M BOARD ASSY
IC1401	JCP8026	IC
Q1401	2SC1317/RS/-T	TRANSISTOR
Q1402	2SA1576A/QR/-X	TRANSISTOR
	or 2PA1576/R/-X	TRANSISTOR
Q1403	2SA1576A/QR/-X	TRANSISTOR
	or 2PA1576/R/-X	TRANSISTOR
Q1404	DTC144WU	TRANSISTOR
	or RN1309	TRANSISTOR
	or UN521E	TRANSISTOR
Q1406	2SA1576A/QR/-X	TRANSISTOR
	or 2PA1576/R/-X	TRANSISTOR
Q1407	2SA1576A/QR/-X	TRANSISTOR
	or 2PA1576/R/-X	TRANSISTOR
Q1408	2SC4081/S/-X	TRANSISTOR
Q1410	2SC4081/QRS/-X	TRANSISTOR
	or 2PC4081/R/-X	TRANSISTOR
Q1412	2SC4081/QRS/-X	TRANSISTOR
	or 2PC4081/R/-X	TRANSISTOR
Q1413	2SA1576A/QR/-X	TRANSISTOR
	or 2PA1576/R/-X	TRANSISTOR
Q1414	DTC144WU	TRANSISTOR
	or RN1309	TRANSISTOR
	or UN521E	TRANSISTOR
Q1417	2SC4081/QRS/-X	TRANSISTOR
	or 2PC4081/R/-X	TRANSISTOR
Q1418	2SA1576A/QR/-X	TRANSISTOR
	or 2PA1576/R/-X	TRANSISTOR
Q1419	DTC124TU	TRANSISTOR

#	△ REF No.	PART No.	PART NAME, DESCRIPTION	#	△ REF No.	PART No.	PART NAME, DESCRIPTION
Q1420	2SC4081/QRS-X		TRANSISTOR	C1408	NDC21HJ-330X		CAPACITOR 33pF,50V
	or 2PC4081/R-X		TRANSISTOR	C1410	QEKJ1EM-475		E CAPACITOR 4.7μF,25V
D1401	RD4.3ES/B2/-T2		ZENER DIODE	C1411	NCF21EZ-104X		CAPACITOR 0.1μF,25V
	or MTZJ4.3B		ZENER DIODE	C1412	NDC21HJ-680X		CAPACITOR 68pF,50V
D1402	1SS133		DIODE	C1413	NDC21HJ-330X		CAPACITOR 33pF,50V
	or 1N4148M		DIODE	C1415	NCF21EZ-104X		CAPACITOR 0.1μF,25V
R1401	NRSA02J-181X	MG RESISTOR	180Ω,1/10W	C1416	QEKJ1CM-106		E CAPACITOR 10μF,16V
R1402	NRSA02J-101X	MG RESISTOR	100Ω,1/10W	C1417	NCF21EZ-104X		CAPACITOR 0.1μF,25V
R1404	NRSA02J-182X	MG RESISTOR	1.8kΩ,1/10W	C1421	NDC21HJ-330X		CAPACITOR 33pF,50V
R1406	NRSA02J-471X	MG RESISTOR	470Ω,1/10W	C1422	NDC21HJ-680X		CAPACITOR 68pF,50V
R1407	NRSA02J-272X	MG RESISTOR	2.7kΩ,1/10W	C1423	NCF21EZ-104X		CAPACITOR 0.1μF,25V
R1408	NRSA02J-122X	MG RESISTOR	1.2kΩ,1/10W	C1424	NCB21HK-103X		CAPACITOR 0.01μF,50V
R1410	NRSA02J-391X	MG RESISTOR	390Ω,1/10W	C1425	NCB21HK-103X		CAPACITOR 0.01μF,50V
R1411	NRSA02J-152X	MG RESISTOR	1.5kΩ,1/10W	C1426	NDC21HJ-390X		CAPACITOR 39pF,50V
R1413	NRSA02J-331X	MG RESISTOR	330Ω,1/10W	C1428	NDC21HJ-220X		CAPACITOR 22pF,50V
R1414	NRSA02J-821X	MG RESISTOR	820Ω,1/10W	C1429	QEKJ0JM-337		E CAPACITOR 330μF,6.3V
R1415	NRSA02J-221X	MG RESISTOR	220Ω,1/10W	C1430	NCF21EZ-104X		CAPACITOR 0.1μF,25V
R1416	NRSA02J-104X	MG RESISTOR	100kΩ,1/10W	C1432	NCF21CZ-105X		CAPACITOR 1μF,16V
R1417	NRSA02J-101X	MG RESISTOR	100Ω,1/10W	C1433	NCF21EZ-104X		CAPACITOR 0.1μF,25V
R1418	NRSA02J-471X	MG RESISTOR	470Ω,1/10W	C1435	NCF21EZ-104X		CAPACITOR 0.1μF,25V
R1421	NRSA02J-391X	MG RESISTOR	390Ω,1/10W	C1436	NCF21EZ-104X		CAPACITOR 0.1μF,25V
R1426	NRSA02J-561X	MG RESISTOR	560Ω,1/10W	C1437	NCF21EZ-104X		CAPACITOR 0.1μF,25V
R1427	NRSA02J-333X	MG RESISTOR	33kΩ,1/10W	C1438	NCF21EZ-104X		CAPACITOR 0.1μF,25V
R1428	NRSA02J-393X	MG RESISTOR	39kΩ,1/10W	C1439	NCF21CZ-105X		CAPACITOR 1μF,16V
R1429	NRSA02J-152X	MG RESISTOR	1.5kΩ,1/10W	C1440	NCF21EZ-104X		CAPACITOR 0.1μF,25V
R1430	NRSA02J-222X	MG RESISTOR	2.2kΩ,1/10W	C1441	NCF21EZ-104X		CAPACITOR 0.1μF,25V
R1431	NRSA02J-821X	MG RESISTOR	820Ω,1/10W	C1442	NCF21CZ-105X		CAPACITOR 1μF,16V
R1432	NRSA02J-182X	MG RESISTOR	1.8kΩ,1/10W	C1444	NCF21EZ-104X		CAPACITOR 0.1μF,25V
R1433	NRSA02J-510X	MG RESISTOR	51Ω,1/10W	C1445	NCF21EZ-104X		CAPACITOR 0.1μF,25V
R1434	NRSA02J-153X	MG RESISTOR	15kΩ,1/10W	C1446	QEKJ0JM-107		E CAPACITOR 100μF,6.3V
R1435	NRSA02J-223X	MG RESISTOR	22kΩ,1/10W	C1447	NCF21EZ-104X		CAPACITOR 0.1μF,25V
R1436	NRSA02J-682X	MG RESISTOR	6.8kΩ,1/10W	C1448	QEKJ0JM-337		E CAPACITOR 330μF,6.3V
R1437	NRSA02J-392X	MG RESISTOR	3.9kΩ,1/10W	C1449	NCF21EZ-104X		CAPACITOR 0.1μF,25V
R1438	NRSA02J-473X	MG RESISTOR	47kΩ,1/10W	C1450	NCF21EZ-104X		CAPACITOR 0.1μF,25V
R1439	NRSA02J-273X	MG RESISTOR	27kΩ,1/10W	C1451	QEKJ1EM-475		E CAPACITOR 4.7μF,25V
R1440	NRSA02J-473X	MG RESISTOR	47kΩ,1/10W	C1452	NCF21EZ-104X		CAPACITOR 0.1μF,25V
R1441	NRSA02J-682X	MG RESISTOR	6.8kΩ,1/10W	C1453	NCF21EZ-104X		CAPACITOR 0.1μF,25V
R1442	NRSA02J-682X	MG RESISTOR	6.8kΩ,1/10W	C1454	NCF21EZ-104X		CAPACITOR 0.1μF,25V
R1446	NRSA02J-102X	MG RESISTOR	1kΩ,1/10W	C1455	NCF21EZ-104X		CAPACITOR 0.1μF,25V
R1447	NRSA02J-102X	MG RESISTOR	1kΩ,1/10W	C1459	NDC21HJ-470X		CAPACITOR 47pF,50V
R1448	NRSA02J-102X	MG RESISTOR	1kΩ,1/10W	C1460	NDC21HJ-470X		CAPACITOR 47pF,50V
R1449	NRSA02J-102X	MG RESISTOR	1kΩ,1/10W	C1461	NDC21HJ-470X		CAPACITOR 47pF,50V
R1450	NRSA02J-102X	MG RESISTOR	1kΩ,1/10W	C1462	NDC21HJ-470X		CAPACITOR 47pF,50V
R1452	NRSA02J-471X	MG RESISTOR	470Ω,1/10W	C1463	QEKJ0JM-336		E CAPACITOR 33μF,6.3V
R1453	NRSA02J-102X	MG RESISTOR	1kΩ,1/10W	C1465	NDC21HJ-470X		CAPACITOR 47pF,50V
R1454	NRSA02J-102X	MG RESISTOR	1kΩ,1/10W	C1466	NDC21HJ-470X		CAPACITOR 47pF,50V
R1455	NRSA02J-681X	MG RESISTOR	680Ω,1/10W	C1467	NDC21HJ-470X		CAPACITOR 47pF,50V
R1458	NRSA02J-681X	MG RESISTOR	680Ω,1/10W	C1468	NDC21HJ-101X		CAPACITOR 100pF,50V
R1459	NRSA02J-681X	MG RESISTOR	680Ω,1/10W	C1470	NDC21HJ-330X		CAPACITOR 33pF,50V
R1460	NRSA02J-273X	MG RESISTOR	27kΩ,1/10W	C1471	NCF21EZ-104X		CAPACITOR 0.1μF,25V
R1461	NRSA02J-121X	MG RESISTOR	120Ω,1/10W	C1472	NCF21EZ-104X		CAPACITOR 0.1μF,25V
R1463	NRSA02J-101X	MG RESISTOR	100Ω,1/10W	C1473	NCF21EZ-104X		CAPACITOR 0.1μF,25V
VR1401	QVZ3521-103Z		V RESISTOR,D/A LEVEL ADJ	L1401	QQL29BJ-100Z		COIL 10μH
B1412	NRSA02J-0R0X	MG RESISTOR	0Ω,1/10W	L1402	QQL071J-6R8Y		COIL 6.8μH
C1401	QEKJ1CM-336	E CAPACITOR	33μF,16V	L1403	QQL071J-6R8Y		COIL 6.8μH
C1402	NCB21HK-103X	CAPACITOR	0.01μF,50V	L1404	QQL071J-6R8Y		COIL 6.8μH
C1403	QEKJ0JM-337	E CAPACITOR	330μF,6.3V	L1405	QQL29BJ-101Z		COIL 100μH
C1404	NCF21EZ-104X	CAPACITOR	0.1μF,25V	L1406	QQL071J-330Y		COIL 33μH
C1405	NCF21EZ-104X	CAPACITOR	0.1μF,25V	L1407	QQL29BJ-101Z		COIL 100μH
C1406	NCB21HK-103X	CAPACITOR	0.01μF,50V	L1409	QQL071J-1R0Y		COIL 1.0μH
C1407	NDC21HJ-680X	CAPACITOR	68pF,50V	LC1401	QQR0521-007Z		NOISE FILTER



#	△ REF No.	PART No.	PART NAME, DESCRIPTION
	LC1402	QQR0521-006Z	NOISE FILTER
	SD1	LP30706-001C	SHIELD FRAME(S-VHS)
	SD2	LP30684-001A	SHIELD CASE(S-VHS)
	CN1401	QGG2502K1-17	HEADER PIN,(1-7)MAIN

#	△ REF No.	PART No.	PART NAME, DESCRIPTION
		or 2SB1218A/QR/-X	TRANSISTOR
	R7102	NRSA02J-102X	MG RESISTOR 1kΩ,1/10W
	R7104	NRVA02D-561X	CMF RESISTOR 560Ω,1/10W
	R7105	NRVA02D-471X	CMF RESISTOR 470Ω,1/10W
	R7121	NRVA02D-561X	CMF RESISTOR 560Ω,1/10W
	R7122	NRVA02D-471X	CMF RESISTOR 470Ω,1/10W
	R7123	NRSA02J-102X	MG RESISTOR 1kΩ,1/10W
	R7124	NRVA02D-750X	CMF RESISTOR 75Ω,1/10W
	R7125	NRVA02D-750X	CMF RESISTOR 75Ω,1/10W
	R7126	NRSA02J-101X	MG RESISTOR 100Ω,1/10W
	R7127	NRVA02D-561X	CMF RESISTOR 560Ω,1/10W
	R7128	NRVA02D-471X	CMF RESISTOR 470Ω,1/10W
	R7129	NRSA02J-102X	MG RESISTOR 1kΩ,1/10W
	R7130	NRSA02J-0R0X	MG RESISTOR 0Ω,1/10W
	R7131	NRSA02J-153X	MG RESISTOR 15kΩ,1/10W
	R7132	NRSA02J-103X	MG RESISTOR 10kΩ,1/10W
	R7133	QRE121J-331Y	RESISTOR 330Ω,1/2W
	R7134	QRE141J-680Y	RESISTOR 68Ω,1/4W
	R7135	NRVA02D-680X	CMF RESISTOR 68Ω,1/10W
	R7136	NRSA02J-750X	MG RESISTOR 75Ω,1/10W
	R7137	NRSA02J-0R0X	MG RESISTOR 0Ω,1/10W
	R7138	NRSA02J-101X	MG RESISTOR 100Ω,1/10W
	R7139	NRSA02J-101X	MG RESISTOR 100Ω,1/10W
	R7140	NRSA02J-101X	MG RESISTOR 100Ω,1/10W
	R7141	NRSA02J-101X	MG RESISTOR 100Ω,1/10W
	R7142	NRSA02J-101X	MG RESISTOR 100Ω,1/10W
	R7143	NRSA02J-101X	MG RESISTOR 100Ω,1/10W
	R7144	NRSA02J-101X	MG RESISTOR 100Ω,1/10W
	R7145	NRSA02J-101X	MG RESISTOR 100Ω,1/10W
	R7146	NRSA02J-101X	MG RESISTOR 100Ω,1/10W
	R7147	NRSA02J-101X	MG RESISTOR 100Ω,1/10W
	R7148	NRSA02J-101X	MG RESISTOR 100Ω,1/10W
	R7149	NRSA02J-682X	MG RESISTOR 6.8kΩ,1/10W
	R7150	NRSA02J-102X	MG RESISTOR 1kΩ,1/10W
	R7151	NRSA02J-471X	MG RESISTOR 470Ω,1/10W
	R7152	NRSA02J-272X	MG RESISTOR 2.7kΩ,1/10W
	R7153	NRSA02J-472X	MG RESISTOR 4.7kΩ,1/10W
	R7154	NRSA02J-0R0X	MG RESISTOR 0Ω,1/10W
	R7155	NRSA02J-332X	MG RESISTOR 3.3kΩ,1/10W
	R7156	NRSA02J-750X	MG RESISTOR 75Ω,1/10W
	R7157	NRSA02J-750X	MG RESISTOR 75Ω,1/10W
	R7158	NRSA02J-102X	MG RESISTOR 1kΩ,1/10W
	R7159	NRSA02J-750X	MG RESISTOR 75Ω,1/10W
	R7160	NRSA02J-101X	MG RESISTOR 100Ω,1/10W
	R7161	NRSA02J-101X	MG RESISTOR 100Ω,1/10W
	R7162	NRSA02J-101X	MG RESISTOR 100Ω,1/10W
	R7163	NRSA02J-101X	MG RESISTOR 100Ω,1/10W
	R7164	NRSA02J-101X	MG RESISTOR 100Ω,1/10W
	R7165	NRSA02J-101X	MG RESISTOR 100Ω,1/10W
	R7167	NRSA02J-472X	MG RESISTOR 4.7kΩ,1/10W
	R7168	NRSA02J-271X	MG RESISTOR 270Ω,1/10W
	R7169	QRE141J-682Y	RESISTOR 6.8kΩ,1/4W
	R7170	NRSA02J-472X	MG RESISTOR 4.7kΩ,1/10W
	R7171	NRSA02J-333X	MG RESISTOR 33kΩ,1/10W
	R7172	NRSA02J-103X	MG RESISTOR 10kΩ,1/10W
	R7173	NRSA02J-3R3X	MG RESISTOR 3.3Ω,1/10W
	C7101	NCB21HK-103X	CAPACITOR 0.01μF,50V
	C7102	QEKJ0JM-476	E CAPACITOR 47μF,6.3V
	C7103	QEKJ1CM-476	E CAPACITOR 47μF,16V
	C7104	NCB21HK-103X	CAPACITOR 0.01μF,50V
	C7105	NCB21HK-103X	CAPACITOR 0.01μF,50V

\*\*\*\*\*

**TERMINAL BOARD ASSEMBLY <06>**

PW1	LPA10114-03A	TERMINAL BOARD ASSY
IC7101	MM1224XF	IC
IC7102	MM1228XF	IC
IC7103	MM1024AF	IC
IC7104	BH7636S	IC
Q7102	2SC4081/QRS/-X	TRANSISTOR
	or 2SD1819A/QRS/-X	TRANSISTOR
	or 2PC4081/R/-X	TRANSISTOR
Q7103	2SA1576A/QR/-X	TRANSISTOR
	or 2PA1576/R/-X	TRANSISTOR
	or 2SB1218A/QR/-X	TRANSISTOR
Q7112	2SA1576A/QR/-X	TRANSISTOR
	or 2SB1218A/QR/-X	TRANSISTOR
	or 2PA1576/R/-X	TRANSISTOR
Q7113	2SC4081/QRS/-X	TRANSISTOR
	or 2PC4081/R/-X	TRANSISTOR
	or 2SD1819A/QRS/-X	TRANSISTOR
Q7114	2SA1576A/QR/-X	TRANSISTOR
	or 2SB1218A/QR/-X	TRANSISTOR
	or 2PA1576/R/-X	TRANSISTOR
Q7115	2SC4081/QRS/-X	TRANSISTOR
	or 2PC4081/R/-X	TRANSISTOR
	or 2SD1819A/QRS/-X	TRANSISTOR
Q7116	2SA1576A/QR/-X	TRANSISTOR
	or 2SB1218A/QR/-X	TRANSISTOR
	or 2PA1576/R/-X	TRANSISTOR
Q7117	DTC114EU	TRANSISTOR
	or PDTC114EU	TRANSISTOR
	or RN1302	TRANSISTOR
	or UN5211	TRANSISTOR
Q7118	2SC4081/QRS/-X	TRANSISTOR
	or 2PC4081/R/-X	TRANSISTOR
	or 2SD1819A/QRS/-X	TRANSISTOR
Q7119	2SC4081/QRS/-X	TRANSISTOR
	or 2SD1819A/QRS/-X	TRANSISTOR
	or 2PC4081/R/-X	TRANSISTOR
Q7120	2SC4081/QRS/-X	TRANSISTOR
	or 2PC4081/R/-X	TRANSISTOR
	or 2SD1819A/QRS/-X	TRANSISTOR
Q7121	2SA1576A/QR/-X	TRANSISTOR
	or 2SB1218A/QR/-X	TRANSISTOR
	or 2PA1576/R/-X	TRANSISTOR
Q7122	2SC4081/QRS/-X	TRANSISTOR
	or 2PC4081/R/-X	TRANSISTOR
	or 2SD1819A/QRS/-X	TRANSISTOR
Q7123	2SA1576A/QR/-X	TRANSISTOR
	or 2SB1218A/QR/-X	TRANSISTOR
	or 2PA1576/R/-X	TRANSISTOR
Q7124	2SA1576A/QR/-X	TRANSISTOR
	or 2PA1576/R/-X	TRANSISTOR

#	△ REF No.	PART No.	PART NAME, DESCRIPTION
C7106		NCB21EK-104X	CAPACITOR 0.1μF,25V
C7107		NCB21HK-103X	CAPACITOR 0.01μF,50V
C7108		NCB21HK-103X	CAPACITOR 0.01μF,50V
C7110		NCB21HK-103X	CAPACITOR 0.01μF,50V
C7112		QEKJ1CM-106	E CAPACITOR 10μF,16V
C7113		NCB21HK-103X	CAPACITOR 0.01μF,50V
C7114		NCB21HK-103X	CAPACITOR 0.01μF,50V
C7116		QEKJ0JM-337	E CAPACITOR 330μF,6.3V
C7117		QEKJ0JM-337	E CAPACITOR 330μF,6.3V
C7118		QEKJ0JM-107	E CAPACITOR 100μF,6.3V
C7119		NCB21HK-103X	CAPACITOR 0.01μF,50V
C7120		QEPF1HM-474	NP E CAPACITOR 0.47μF,50V
C7121		NDC21HJ-270X	CAPACITOR 27pF,50V
C7122		NCB21HK-103X	CAPACITOR 0.01μF,50V
C7123		NCB21HK-103X	CAPACITOR 0.01μF,50V
C7124		NCB21HK-103X	CAPACITOR 0.01μF,50V
C7125		QEKJ1CM-476	E CAPACITOR 47μF,16V
C7126		NCB21HK-103X	CAPACITOR 0.01μF,50V
C7127		NDC21HJ-330X	CAPACITOR 33pF,50V
C7129		QEKJ0JM-337	E CAPACITOR 330μF,6.3V
C7130		NCB21HK-681X	CAPACITOR 680pF,50V
C7131		NCB21HK-102X	CAPACITOR 0.001μF,50V
C7132		NCB21HK-681X	CAPACITOR 680pF,50V
C7133		NCB21HK-102X	CAPACITOR 0.001μF,50V
C7138		QEKJ1CM-107	E CAPACITOR 100μF,16V
C7139		QEKJ1CM-107	E CAPACITOR 100μF,16V
C7140		NCB21EK-104X	CAPACITOR 0.1μF,25V
C7142		NCB21EK-104X	CAPACITOR 0.1μF,25V
C7143		NCB21EK-104X	CAPACITOR 0.1μF,25V
C7145		NCB21EK-104X	CAPACITOR 0.1μF,25V
C7146		NDC21HJ-330X	CAPACITOR 33pF,50V
C7147		NCB21EK-104X	CAPACITOR 0.1μF,25V
C7148		NCB21EK-104X	CAPACITOR 0.1μF,25V
C7150		NCB21HK-103X	CAPACITOR 0.01μF,50V
C7151		QEKJ1CM-106	E CAPACITOR 10μF,16V
C7152		QEKJ1CM-106	E CAPACITOR 10μF,16V
C7153		QEKJ1CM-106	E CAPACITOR 10μF,16V
C7154		NCB21CK-105X	CAPACITOR 1μF,16V
C7155		QEKJ0JM-476	E CAPACITOR 47μF,6.3V
C7156		NCB21HK-681X	CAPACITOR 680pF,50V
C7158		NCB21HK-681X	CAPACITOR 680pF,50V
C7159		NCB21HK-102X	CAPACITOR 0.001μF,50V
C7166		NCB21HK-102X	CAPACITOR 0.001μF,50V
C7167		NCB21HK-102X	CAPACITOR 0.001μF,50V
C7168		QEKJ0JM-476	E CAPACITOR 47μF,6.3V
C7169		NCB21HK-103X	CAPACITOR 0.01μF,50V
C7170		NCB21HK-102X	CAPACITOR 0.001μF,50V
L7101		QQL29BJ-4R7Z	COIL 4.7μH
L7102		QQL29BJ-4R7Z	COIL 4.7μH
L7103		QQL29BJ-4R7Z	COIL 4.7μH
L7104		QUY153-050Y	IM BUS WIRE
L7105		QUY153-050Y	IM BUS WIRE
L7106		QQL071J-4R7Y	COIL 4.7μH
L7107		QQL071J-4R7Y	COIL 4.7μH
L7108		QQL071J-4R7Y	COIL 4.7μH
L7109		QQL071J-4R7Y	COIL 4.7μH
L7110		QUY153-050Y	IM BUS WIRE
L7113		QQL071J-1R0Y	COIL 1.0μH
L7115		QQL29BK-1R0Z	COIL 1.0μH
L7116		QUY153-050Y	IM BUS WIRE
L7117		QQL071J-4R7Y	COIL 4.7μH

#	△ REF No.	PART No.	PART NAME, DESCRIPTION
L7118		QQL071J-4R7Y	COIL 4.7μH
L7119		QQL071J-4R7Y	COIL 4.7μH
L7120		QQL071J-4R7Y	COIL 4.7μH
L7121		QQL071J-4R7Y	COIL 4.7μH
L7122		QQL071J-4R7Y	COIL 4.7μH
L7123		QUY153-050Y	IM BUS WIRE
ET1		QNZ0431-001Z	EARTH TERMINAL
J7101		QND0009-001	S JACK,S_OUT
J7102		QNZ0418-001	21P CONNECTOR,AV1
J7103		PU60659	MINI JACK,SAT_CTL
J7104		QNZ0418-001	21P CONNECTOR,AV2
J7105		QNN0295-002	PIN JACK,A.OUT(L/R)
CN7101		QGB2024J1-15S	CONNECTOR,(1-15)MAIN
CN7102		QGB2024J1-05S	CONNECTOR,(1-5)MAIN
CN7103		QGB2024J1-14S	CONNECTOR,(1-14)MAIN
CN7104		QGB2024J1-11S	CONNECTOR,(1-11)MAIN

\*\*\*\*\*

**A/C HEAD BOARD ASSEMBLY <12>**

PW1	LPA10010-01A1	A/C HEAD BOARD ASSY
CN1	QGF1208F1-07	FPC CONNECTOR

\*\*\*\*\*

**DEMOD BOARD ASSEMBLY <14>**

PW1	LPA10094-04A	DEMOD BOARD ASSY
IC6701	MSP3417D	IC
	or MSP3417DG3	IC
Q6701	2SC3936/BC-X	TRANSISTOR
D6701	1SS133	DIODE
	or 1N4148M	DIODE
R6701	NRSA02J-392X	MG RESISTOR 3.9kΩ,1/10W
R6702	NRSA02J-682X	MG RESISTOR 6.8kΩ,1/10W
R6703	NRSA02J-0R0X	MG RESISTOR 0Ω,1/10W
R6704	NRSA02J-102X	MG RESISTOR 1kΩ,1/10W
R6705	NRSA02J-271X	MG RESISTOR 270Ω,1/10W
R6707	NQR0200-003X	FERRITE BEAD
R6708	NQR0200-003X	FERRITE BEAD
R6709	NQR0200-003X	FERRITE BEAD
R6710	NQR0200-003X	FERRITE BEAD
R6711	NRSA02J-684X	MG RESISTOR 680kΩ,1/10W
R6712	NRSA02J-102X	MG RESISTOR 1kΩ,1/10W
R6714	NRSA02J-102X	MG RESISTOR 1kΩ,1/10W
R6716	NQR0200-003X	FERRITE BEAD
R6719	QRE141J-103Y	RESISTOR 10kΩ,1/4W
R6720	NRSA02J-562X	MG RESISTOR 5.6kΩ,1/10W
R6721	NRSA02J-562X	MG RESISTOR 5.6kΩ,1/10W
C6701	NCB21HK-103X	CAPACITOR 0.01μF,50V
C6704	NCB21HK-103X	CAPACITOR 0.01μF,50V
C6707	NDC21HJ-470X	CAPACITOR 47pF,50V
C6708	NDC21HJ-7R0X	CAPACITOR 7pF,50V

#	△	REF No.	PART No.	PART NAME, DESCRIPTION	#	△	REF No.	PART No.	PART NAME, DESCRIPTION
C6709			NDC21HJ-3R0X	CAPACITOR 3pF,50V	C502			QEKJ1EM-475	E CAPACITOR 4.7μF,25V
C6713			NCF21CZ-224X	CAPACITOR 0.22μF,16V	C503			QEKJ1HM-225	E CAPACITOR 2.2μF,50V
C6714			NCB21HK-222X	CAPACITOR 0.0022μF,50V	C504			NCB21EK-104X	CAPACITOR 0.1μF,25V
C6715			QEKJ1HM-225	E CAPACITOR 2.2μF,50V	C505			QEKJ1EM-475	E CAPACITOR 4.7μF,25V
C6716			NCB21HK-222X	CAPACITOR 0.0022μF,50V	C506			NCB21EK-104X	CAPACITOR 0.1μF,25V
C6717			QEKJ1HM-225	E CAPACITOR 2.2μF,50V	C507			QEKJ0JM-227	E CAPACITOR 220μF,6.3V
C6719			QEKJ1EM-106	E CAPACITOR 10μF,25V	C508			QEPF1HM-474	NP E CAPACITOR 0.47μF,50V
C6720			QEKJ1EM-106	E CAPACITOR 10μF,25V	C509			QEKJ1CM-106	E CAPACITOR 10μF,16V
C6721			NCB21HK-103X	CAPACITOR 0.01μF,50V	C510			QEKJ0JM-227	E CAPACITOR 220μF,6.3V
C6723			NCB21HK-103X	CAPACITOR 0.01μF,50V	C511			NCB21HK-103X	CAPACITOR 0.01μF,50V
L6701			QUY153-050Y	IM BUS WIRE	C512			NCB21HK-103X	CAPACITOR 0.01μF,50V
X6701			QAX0443-001	CRYSTAL RESONATOR	C513			QEKJ1EM-475	E CAPACITOR 4.7μF,25V
K6701			NRSA02J-330X	MG RESISTOR 33Ω,1/10W	C514			NCB21HK-103X	CAPACITOR 0.01μF,50V
K6702			NQR0200-003X	FERRITE BEAD	C515			NCB21HK-103X	CAPACITOR 0.01μF,50V
K6703			NRSA02J-102X	MG RESISTOR 1kΩ,1/10W	C516			NCB21HK-103X	CAPACITOR 0.01μF,50V
K6704			NRSA02J-102X	MG RESISTOR 1kΩ,1/10W	C517			NCF21EZ-104X	CAPACITOR 0.1μF,25V
K6705			NRSA02J-100X	MG RESISTOR 10Ω,1/10W	C518			NCB21EK-104X	CAPACITOR 0.1μF,25V
K6706			NRSA02J-470X	MG RESISTOR 47Ω,1/10W	C519			QEKJ1HM-225	E CAPACITOR 2.2μF,50V
BK1			LP40425-001A	BRACKET(PWB)	C520			QERF1EM-475	E CAPACITOR 4.7μF,25V
CN6701			QGG2502K1-10	HEADER PIN	C521			QEKJ1EM-475	E CAPACITOR 4.7μF,25V
					C522			QEKJ1HM-225	E CAPACITOR 2.2μF,50V
					C523			QEKJ1HM-225	E CAPACITOR 2.2μF,50V
					C524			NDC21HG-301X	CAPACITOR 300pF,50V
					C525			NDC21HG-301X	CAPACITOR 300pF,50V
					C526			NDC21HJ-101X	CAPACITOR 100pF,50V
					C527			NDC21HJ-181X	CAPACITOR 180pF,50V
					C528			NDC21HG-271X	CAPACITOR 270pF,50V
					C529			NDC21HG-820X	CAPACITOR 82pF,50V
					C530			NDC21HG-221X	CAPACITOR 220pF,50V
					C531			NDC21HG-301X	CAPACITOR 300pF,50V
					C532			NDC21HG-301X	CAPACITOR 300pF,50V
					C533			NCB21HK-103X	CAPACITOR 0.01μF,50V
					C534			QETJ0JM-477	E CAPACITOR 470μF,6.3V
					C535			NCB21HK-103X	CAPACITOR 0.01μF,50V
					C551			QEKJ1HM-105	E CAPACITOR 1μF,50V
					C552			NCB21HK-103X	CAPACITOR 0.01μF,50V
					C553			NCB21HK-103X	CAPACITOR 0.01μF,50V
					C554			QEKJ1HM-105	E CAPACITOR 1μF,50V
					C555			NCB21HK-103X	CAPACITOR 0.01μF,50V
					C556			NCB21HK-103X	CAPACITOR 0.01μF,50V
					C557			QEKJ1HM-105	E CAPACITOR 1μF,50V
					C558			NCB21HK-103X	CAPACITOR 0.01μF,50V
					C559			NCB21HK-103X	CAPACITOR 0.01μF,50V
					C560			QEKJ1HM-105	E CAPACITOR 1μF,50V
					C561			QEKJ1HM-105	E CAPACITOR 1μF,50V
					C563			NCB21HK-103X	CAPACITOR 0.01μF,50V
					C568			NDC21HJ-680X	CAPACITOR 68pF,50V
					C569			NDC21HJ-680X	CAPACITOR 68pF,50V
					C570			NDC21HJ-680X	CAPACITOR 68pF,50V
					C571			NDC21HJ-680X	CAPACITOR 68pF,50V
					C572			NDC21HJ-680X	CAPACITOR 68pF,50V
					C573			NDC21HJ-680X	CAPACITOR 68pF,50V
					L501			QQL29BJ-100Z	COIL 10μH
					L503			QQL29BJ-100Z	COIL 10μH
					L504			QQL29BJ-100Z	COIL 10μH
					BK1			LP40077-001A	BRACKET(BOARD)
					CN511			QGG2503K2-30	HEADER PIN,(1-30)MAIN
					CN512			QGF1209F2-14	FFC/FPC CONNE,(1-14)MAIN

\*\*\*\*\*

**S-SUB BOARD ASSEMBLY <15>**

PW1	LPA10103-01A	S-SUB BOARD ASSY	
IC501	JCP8018	IC	
	or JCP8028-01	IC	
	or JCP8038	IC	
	or JCP8028	IC	
IC502	VC2076DP	IC	
R503	NRSA02J-221X	MG RESISTOR	220Ω,1/10W
R504	NRSA02J-332X	MG RESISTOR	3.3kΩ,1/10W
R505	NRSA02J-392X	MG RESISTOR	3.9kΩ,1/10W
R506	NRSA02J-391X	MG RESISTOR	390Ω,1/10W
R507	NRSA02J-122X	MG RESISTOR	1.2kΩ,1/10W
R508	NRSA02J-151X	MG RESISTOR	150Ω,1/10W
R509	NRSA02J-162X	MG RESISTOR	1.6kΩ,1/10W
R510	NRVA02D-102X	CMF RESISTOR	1kΩ,1/10W
R511	NRVA02D-471X	CMF RESISTOR	470Ω,1/10W
R512	NRVA02D-102X	CMF RESISTOR	1kΩ,1/10W
R513	NRVA02D-152X	CMF RESISTOR	1.5kΩ,1/10W
R514	NRVA02D-332X	CMF RESISTOR	3.3kΩ,1/10W
R515	NRVA02D-332X	CMF RESISTOR	3.3kΩ,1/10W
R516	NRSA02J-0R0X	MG RESISTOR	0Ω,1/10W
R517	NRSA02J-0R0X	MG RESISTOR	0Ω,1/10W
R525	NRSA02J-125X	MG RESISTOR	1.2MΩ,1/10W
R527	NRSA02J-332X	MG RESISTOR	3.3kΩ,1/10W
R531	NRSA02J-101X	MG RESISTOR	100Ω,1/10W
R532	NRSA02J-101X	MG RESISTOR	100Ω,1/10W
R533	NRSA02J-101X	MG RESISTOR	100Ω,1/10W
R534	NRSA02J-101X	MG RESISTOR	100Ω,1/10W
R535	NRSA02J-101X	MG RESISTOR	100Ω,1/10W
R536	NRSA02J-101X	MG RESISTOR	100Ω,1/10W
B501	NRSA02J-0R0X	MG RESISTOR	0Ω,1/10W
B503	NRSA02J-0R0X	MG RESISTOR	0Ω,1/10W
C501	QEKJ1HM-225	E CAPACITOR	2.2μF,50V

#	△ REF No.	PART No.	PART NAME, DESCRIPTION
*****			
<b>ON SCREEN BOARD ASSEMBLY &lt;17&gt;</b>			
PW1	LPA10127-06A		ON SCREEN BOARD ASSY
IC851	LC74775-9750		IC
Q853	2SA1576A/QR/-X		TRANSISTOR
	or 2PA1576R/-X		TRANSISTOR
	or 2SB1218A/QR/-X		TRANSISTOR
Q857	2SA1576A/QR/-X		TRANSISTOR
	or 2PA1576R/-X		TRANSISTOR
	or 2SB1218A/QR/-X		TRANSISTOR
Q858	2SC4081/QRS/-X		TRANSISTOR
	or 2SD1819A/QRS/-X		TRANSISTOR
	or 2PC4081R/-X		TRANSISTOR
Q859	2SA1576A/QR/-X		TRANSISTOR
	or 2PA1576R/-X		TRANSISTOR
	or 2SB1218A/QR/-X		TRANSISTOR
Q860	DTC114EU		TRANSISTOR
	or PDTC114EU		TRANSISTOR
	or RN1302		TRANSISTOR
	or UN5211		TRANSISTOR
D851	QUY153-050Y		IM BUS WIRE
D852	QRE141J-152Y	1.5kΩ, 1/4W	RESISTOR
D853	QRE141J-101Y	100Ω, 1/4W	RESISTOR
D854	QRE141J-101Y	100Ω, 1/4W	RESISTOR
D855	DA204U		DIODE
R853	NRSA02J-103X	10kΩ, 1/10W	MG RESISTOR
R857	NRSA02J-0R0X	0Ω, 1/10W	MG RESISTOR
R860	NRSA02J-0R0X	0Ω, 1/10W	MG RESISTOR
R862	NRSA02J-0R0X	0Ω, 1/10W	MG RESISTOR
R863	NRSA02J-331X	330Ω, 1/10W	MG RESISTOR
R870	NRSA02J-103X	10kΩ, 1/10W	MG RESISTOR
R872	NRSA02J-103X	10kΩ, 1/10W	MG RESISTOR
R873	NRSA02J-0R0X	0Ω, 1/10W	MG RESISTOR
R874	NRSA02J-0R0X	0Ω, 1/10W	MG RESISTOR
R875	NRSA02J-0R0X	0Ω, 1/10W	MG RESISTOR
R876	NRSA02J-512X	5.1kΩ, 1/10W	MG RESISTOR
R877	NRSA02J-182X	1.8kΩ, 1/10W	MG RESISTOR
R878	NRSA02J-562X	5.6kΩ, 1/10W	MG RESISTOR
R879	NRSA02J-332X	3.3kΩ, 1/10W	MG RESISTOR
R880	NRSA02J-0R0X	0Ω, 1/10W	MG RESISTOR
R881	NRSA02J-471X	470Ω, 1/10W	MG RESISTOR
R882	NRSA02J-184X	180kΩ, 1/10W	MG RESISTOR
R883	NRSA02J-822X	8.2kΩ, 1/10W	MG RESISTOR
R884	NRSA02J-272X	2.7kΩ, 1/10W	MG RESISTOR
R885	NRSA02J-153X	15kΩ, 1/10W	MG RESISTOR
R886	NRSA02J-681X	680Ω, 1/10W	MG RESISTOR
R887	NRSA02J-103X	10kΩ, 1/10W	MG RESISTOR
R888	NRSA02J-472X	4.7kΩ, 1/10W	MG RESISTOR
R891	NRSA02J-0R0X	0Ω, 1/10W	MG RESISTOR
B851	NRSA02J-0R0X	0Ω, 1/10W	MG RESISTOR
B853	NRSA02J-0R0X	0Ω, 1/10W	MG RESISTOR
B855	NRSA02J-0R0X	0Ω, 1/10W	MG RESISTOR
B857	QUY153-050Y		IM BUS WIRE
B860	NRSA02J-0R0X	0Ω, 1/10W	MG RESISTOR
B863	NRSA02J-0R0X	0Ω, 1/10W	MG RESISTOR
C851	QEKJ0JM-337	330μF, 6.3V	E CAPACITOR
C852	NCB21EK-224X	0.22μF, 25V	CAPACITOR
C853	NCB21CK-105X	1μF, 16V	CAPACITOR
C856	NCB21CK-105X	1μF, 16V	CAPACITOR

#	△ REF No.	PART No.	PART NAME, DESCRIPTION
C857	NDC21HJ-560X		CAPACITOR 56pF, 50V
C858	NCB21CK-474X		CAPACITOR 0.47μF, 16V
C860	NCB21HK-103X		CAPACITOR 0.01μF, 50V
C865	NDC21HJ-100X		CAPACITOR 10pF, 50V
C867	NDC21HJ-330X		CAPACITOR 33pF, 50V
C868	NDC21HJ-330X		CAPACITOR 33pF, 50V
C870	NDC21HJ-101X		CAPACITOR 100pF, 50V
C871	NDC21HJ-101X		CAPACITOR 100pF, 50V
C872	NCB21EK-104X		CAPACITOR 0.1μF, 25V
C873	QEKJ1EM-475		E CAPACITOR 4.7μF, 25V
C874	NCB21EK-224X		CAPACITOR 0.22μF, 25V
C875	NCB21EK-224X		CAPACITOR 0.22μF, 25V
C876	QEKJ0JM-227		E CAPACITOR 220μF, 6.3V
C877	QEKJ1CM-476		E CAPACITOR 47μF, 16V
C878	NCB21HK-103X		CAPACITOR 0.01μF, 50V
C879	NCB21EK-104X		CAPACITOR 0.1μF, 25V
C881	NCB21HK-471X		CAPACITOR 470pF, 50V
C882	NCB21HK-223X		CAPACITOR 0.022μF, 50V
C883	QEKJ1HM-225		E CAPACITOR 2.2μF, 50V
L851	QQL01BK-1R0Z		COIL 1.0μH
L852	QQL071J-220Y		COIL 22μH
L853	QQL29BJ-100Z		COIL 10μH
L854	QUY153-050Y		IM BUS WIRE
L855	QUY153-050Y		IM BUS WIRE
L857	QQL071J-330Y		COIL 33μH
L858	QQL37CJ-220Z		COIL 22μH
L859	QQL29BJ-4R7Z		COIL 4.7μH
T851	PELN0806		LC TRAP
BK1	LP40077-001A		BRACKET(BOARD)
CN851	QGG2502K1-20		HEADER PIN

\*\*\*\*\*

**EJECT SW BOARD ASSEMBLY <27>**

PW5	LPA10126-01C5	EJECT SW BOARD ASSY
S7011	QSW0456-002Z	TACT SWITCH, VHS EJECT
FW7005	QUM022-15A4A4	PARA RIBON WIRE

\*\*\*\*\*

**SW/DISPLAY BOARD ASSEMBLY <28>**

PW1	LPA10126-04A1	SW/DISPLAY BOARD ASSY
IC7001	M35500BGP	IC
	or M35500AGP	IC
	or M35500BFP	IC
IC7002	PNA4652M00XB	IR DETECT UNIT
	or GP1U281X	IR DETECT UNIT
Q7001	DTC114ES	TRANSISTOR
D7002	RD9.1ES/B2/-T2	ZENER DIODE
	or UZ9.1BSB	ZENER DIODE
	or MTZJ9.1B	ZENER DIODE
D7004	1SS133	DIODE
	or 1N4148M	DIODE
D7005	1SS133	DIODE
	or 1N4148M	DIODE

#	△	REF No.	PART No.	PART NAME, DESCRIPTION	#	△	REF No.	PART No.	PART NAME, DESCRIPTION
D7006			1SS133	DIODE	S7003			QSW0456-002Z	TACT SWITCH,CH-
			or 1N4148M	DIODE	S7004			QSW0456-002Z	TACT SWITCH,REC
D7009			SLR-342DU3F	LE DIODE	S7005			QSW0456-002Z	TACT SWITCH,PAUSE
D7010			SLR-342MG3F	LE DIODE	S7006			QSW0456-002Z	TACT SWITCH,PLAY
D7011			SLR-342VR3F	LE DIODE	S7007			QSW0456-002Z	TACT SWITCH,STOP
D7013			SLR-342MG3F	LE DIODE	S7012			QSW0456-002Z	TACT SWITCH,SVHS ET
D7014			SLR-342VR3F	LE DIODE	S7013			QSW0456-002Z	TACT SWITCH,VHS
R7001			QRE141J-471Y	RESISTOR	470Ω,1/4W	S7015		QSW0456-002Z	TACT SWITCH,REW
R7002			QRE141J-471Y	RESISTOR	470Ω,1/4W	S7016		QSW0456-002Z	TACT SWITCH,MENU
R7003			QRE141J-471Y	RESISTOR	470Ω,1/4W	S7017		QSW0456-002Z	TACT SWITCH,NAVI
R7004			QRE141J-471Y	RESISTOR	470Ω,1/4W	S7018		QSW0456-002Z	TACT SWITCH,A.DUB
R7006			QRE141J-103Y	RESISTOR	10kΩ,1/4W	S7019		QSW0456-002Z	TACT SWITCH,FF
R7007			QRE141J-103Y	RESISTOR	10kΩ,1/4W	S7021		QSW0456-002Z	TACT SWITCH,LEFT
R7008			QRE141J-103Y	RESISTOR	10kΩ,1/4W	S7022		QSW0456-002Z	TACT SWITCH,RIGHT
R7013			QRE141J-103Y	RESISTOR	10kΩ,1/4W	S7023		QSW0456-002Z	TACT SWITCH,OK
R7014			QUY153-050Y	IM BUS WIRE		S7026		QSW0456-002Z	TACT SWITCH,UP
R7015			QUY153-050Y	IM BUS WIRE		S7027		QSW0456-002Z	TACT SWITCH,DOWN
R7020			QRE141J-103Y	RESISTOR	10kΩ,1/4W	DI7001		QLF0031-002	FL TUBE
R7021			QRE141J-122Y	RESISTOR	1.2kΩ,1/4W	HD1		PQ34949	FDP HOLDER(L),DI7001
R7022			QRE141J-182Y	RESISTOR	1.8kΩ,1/4W	HD2		PQ34950	FDP HOLDER(R),DI7001
R7023			QRE141J-222Y	RESISTOR	2.2kΩ,1/4W	HD3		PQ40795-2-2	LED HOLDER,D7009
R7024			QRE141J-272Y	RESISTOR	2.7kΩ,1/4W	HD4		PQM30038-1-2	LED HOLDER,D7010
R7025			QRE141J-472Y	RESISTOR	4.7kΩ,1/4W	HD5		PQM30038-1-2	LED HOLDER,D7011
R7026			QRE141J-682Y	RESISTOR	6.8kΩ,1/4W	HD6		PQM30038-1-2	LED HOLDER,D7013
R7027			QRE141J-153Y	RESISTOR	15kΩ,1/4W	HD7		PQM30038-1-2	LED HOLDER,D7014
R7028			QRE141J-393Y	RESISTOR	39kΩ,1/4W	CN7001		QGF1207F1-18	FPC CONNECTOR,(1-18)MAIN
R7030			QRE141J-103Y	RESISTOR	10kΩ,1/4W				
R7031			QRE141J-122Y	RESISTOR	1.2kΩ,1/4W				
R7032			QRE141J-182Y	RESISTOR	1.8kΩ,1/4W				
R7033			QRE141J-222Y	RESISTOR	2.2kΩ,1/4W				
R7034			QRE141J-272Y	RESISTOR	2.7kΩ,1/4W				
R7035			QRE141J-472Y	RESISTOR	4.7kΩ,1/4W				
R7036			QRE141J-682Y	RESISTOR	6.8kΩ,1/4W				
R7037			QRE141J-153Y	RESISTOR	15kΩ,1/4W				
R7038			QRE141J-393Y	RESISTOR	39kΩ,1/4W				
R7040			QRE141J-103Y	RESISTOR	10kΩ,1/4W				
R7041			QRE141J-122Y	RESISTOR	1.2kΩ,1/4W				
R7042			QRE141J-182Y	RESISTOR	1.8kΩ,1/4W				
R7043			QRE141J-222Y	RESISTOR	2.2kΩ,1/4W				
R7044			QRE141J-272Y	RESISTOR	2.7kΩ,1/4W				
R7045			QRE141J-472Y	RESISTOR	4.7kΩ,1/4W				
R7046			QRE141J-682Y	RESISTOR	6.8kΩ,1/4W				
R7047			QRE141J-153Y	RESISTOR	15kΩ,1/4W				
R7051			QRE141J-331Y	RESISTOR	330Ω,1/4W	R7061		QRE141J-750Y	RESISTOR 75Ω,1/4W
R7052			QRE141J-331Y	RESISTOR	330Ω,1/4W	R7062		QUY153-050Y	IM BUS WIRE
R7053			QRE141J-331Y	RESISTOR	330Ω,1/4W	R7063		QRE141J-750Y	RESISTOR 75Ω,1/4W
R7054			QRE141J-331Y	RESISTOR	330Ω,1/4W	R7064		QRE141J-750Y	RESISTOR 75Ω,1/4W
R7057			QRE141J-331Y	RESISTOR	330Ω,1/4W	C7061		QDYB1CM-103Y	CAPACITOR 0.01μF,16V
R7058			QRE141J-331Y	RESISTOR	330Ω,1/4W	C7062		QCB1HJ-681	CAPACITOR 680pF,50V
R7059			QRE141J-331Y	RESISTOR	330Ω,1/4W	C7064		QCB1HJ-681	CAPACITOR 680pF,50V
R7060			QRE141J-103Y	RESISTOR	10kΩ,1/4W	L7061		QQL071J-100Y	COIL 10μH
C7001			QCFB1HZ-104	CAPACITOR	0.1μF,50V	L7062		QQL071J-100Y	COIL 10μH
C7002			QETN1HM-106	E CAPACITOR	10μF,50V	L7063		QUY153-050Y	IM BUS WIRE
C7007			QEKCOJM-476	E CAPACITOR	47μF,6.3V	L7064		QUY153-050Y	IM BUS WIRE
C7009			QCSB1HJ-150	CAPACITOR	15pF,50V	J7001		QND0084-001	S JACK,S VIDEO
C7010			QCFB1HZ-104	CAPACITOR	0.1μF,50V	J7002		PEMC1009-04	PIN JACK,V IN
C7011			QEK1AM-227	E CAPACITOR	220μF,10V	J7003		PEMC1010-02	PIN JACK(SW),R IN
C7019			QDVB1EZ-223Y	CAPACITOR	0.022μF,25V	J7004		PEMC1010-03	PIN JACK(SW),L IN
L7001			QUY153-050Y	IM BUS WIRE		J7005		PU60659	MINI JACK,R.PAUSE
S7001			QSW0456-002Z	TACT SWITCH,POWER		OT1		PU59915-102	#500SPACER0.010
S7002			QSW0456-002Z	TACT SWITCH,CH+		CN7002		QGF1207F1-10	FPC CONNECTOR,(1-10)MAIN

\*\*\*\*\*

**JACK BOARD ASSEMBLY <36>**

PW2	LPA10126-04A2	JACK BOARD ASSY
D7063	1SS133	DIODE
	or 1N4148M	DIODE
D7064	1SS133	DIODE
	or 1N4148M	DIODE
D7065	1SS133	DIODE
	or 1N4148M	DIODE
D7066	1SS133	DIODE
	or 1N4148M	DIODE
R7061	QRE141J-750Y	RESISTOR 75Ω,1/4W
R7062	QUY153-050Y	IM BUS WIRE
R7063	QRE141J-750Y	RESISTOR 75Ω,1/4W
R7064	QRE141J-750Y	RESISTOR 75Ω,1/4W
C7061	QDYB1CM-103Y	CAPACITOR 0.01μF,16V
C7062	QCB1HJ-681	CAPACITOR 680pF,50V
C7064	QCB1HJ-681	CAPACITOR 680pF,50V
L7061	QQL071J-100Y	COIL 10μH
L7062	QQL071J-100Y	COIL 10μH
L7063	QUY153-050Y	IM BUS WIRE
L7064	QUY153-050Y	IM BUS WIRE
J7001	QND0084-001	S JACK,S VIDEO
J7002	PEMC1009-04	PIN JACK,V IN
J7003	PEMC1010-02	PIN JACK(SW),R IN
J7004	PEMC1010-03	PIN JACK(SW),L IN
J7005	PU60659	MINI JACK,R.PAUSE
OT1	PU59915-102	#500SPACER0.010
CN7002	QGF1207F1-10	FPC CONNECTOR,(1-10)MAIN

# REF No. PART No. PART NAME, DESCRIPTION

\*\*\*\*\*

**LED/SW BOARD ASSEMBLY <47>**

PW3 LPA10126-04A3 LED/SW BOARD ASSY  
D7012 SLR-342DU3F LE DIODE  
D7018 SLR-342VR3F LE DIODE  
S7010 QSW0456-001Z TACT SWITCH,HDR  
S7028 QSW0456-001Z TACT SWITCH,REC IN  
FW7003 QUM036-04A4A PARA RIBON WIRE

\*\*\*\*\*

**DIGITAL SUB BOARD ASSEMBLY <49>**

There are currently two types of Digital board assemblies in used, these are the LPA10121-04B and the LPA10121-04C. These two boards have different Schematic Diagrams and Parts Lists. Be sure to check the board number.

	LPA10121-04B	LPA10121-04C
Digital sub board assembly <49>	Not used	Used
RA8601, RA8602	Used	Not used
K8701, OT1, J1, J2	Not used	Used

PW1 LPA20023-01A DIGITAL SUB BOARD ASSY  
IC1 EPM3064AT10-003 IC  
IC2 UPD485505G-25 IC  
R1 NRSA63J-102X MG RESISTOR 1kΩ,1/16W  
R2 NRSA63J-102X MG RESISTOR 1kΩ,1/16W  
R3 NRSA63J-103X MG RESISTOR 10kΩ,1/16W  
R4 NRSA63J-103X MG RESISTOR 10kΩ,1/16W  
R5 NRSA63J-102X MG RESISTOR 1kΩ,1/16W  
RA1 NRZ0040-330X NETWORK RESISTOR  
RA2 NRZ0040-330X NETWORK RESISTOR  
C1 NCB31CK-104X CAPACITOR 0.1μF,16V  
C2 NBE20JM-106X T CAPACITOR 10μF,6.3V  
C3 NCB31CK-104X CAPACITOR 0.1μF,16V  
C4 NCB31CK-104X CAPACITOR 0.1μF,16V  
C5 NCB31CK-104X CAPACITOR 0.1μF,16V  
C6 NCB31CK-104X CAPACITOR 0.1μF,16V  
C7 NCB31CK-104X CAPACITOR 0.1μF,16V  
C8 NCB31CK-104X CAPACITOR 0.1μF,16V  
C9 NBE20JM-106X T CAPACITOR 10μF,6.3V  
C10 NCB31CK-104X CAPACITOR 0.1μF,16V  
K1 NQR0339-001X FERRITE BEAD  
K2 NQR0339-001X FERRITE BEAD  
CN1 QGF0503C1-15V FFC/FPC CONNECTOR,(1-15)DIGITAL  
CN2 QGF0512C1-12X FPC CONNECTOR,(1-12)DIGITAL

# REF No. PART No. PART NAME, DESCRIPTION

\*\*\*\*\*

**DIGITAL BOARD ASSEMBLY <50>**

There are currently two types of Digital board assemblies in used, these are the LPA10121-04B and the LPA10121-04C. These two boards have different Schematic Diagrams and Parts Lists. Be sure to check the board number.

	LPA10121-04B	LPA10121-04C
Digital sub board assembly <49>	Not used	Used
RA8601, RA8602	Used	Not used
K8701, OT1, J1, J2	Not used	Used

PW1 LPA10121-04B DIGITAL BOARD ASSY,HDS1EU  
RA8601 NRZ0040-0R0X NETWORK RESISTOR,HDS1EU  
RA8602 NRZ0040-0R0X NETWORK RESISTOR,HDS1EU  
PW1 LPA10121-04C DIGITAL BOARD ASSY,HDS1EK/EU  
IC8001 JCP8043-2 IC  
IC8002 KM416S1120DT-G8 IC  
or K4S161622D-TC80 IC  
or HY57V161610DTC8 IC  
IC8003 MN1382/K/-X IC  
IC8201 NDV8501VWB IC(DIGITAL)  
or NDV8501-2VWA IC(DIGITAL)  
IC8202 K4S641632D-TC1H IC  
or HY57641620HGLTH IC  
or HY57641620HGLTP IC  
IC8203 K4S641632D-TC1H IC  
or HY57641620HGLTH IC  
or HY57641620HGLTP IC  
IC8204 39VF800A7CEK04A IC(MICRO C ROM)  
IC8206 SN74LV573APW IC  
IC8207 SN74LV573APW IC  
IC8210 TC7WU04FU IC(DIGITAL)  
IC8401 MB86390 IC(DIGITAL)  
IC8402 KM416S1120DT-G8 IC  
or K4S161622D-TC80 IC  
or HY57V161610DTC8 IC  
IC8403 KM416S1120DT-G8 IC  
or K4S161622D-TC80 IC  
or HY57V161610DTC8 IC  
IC8404 KM416S1120DT-G8 IC  
or K4S161622D-TC80 IC  
or HY57V161610DTC8 IC  
IC8405 KM416S1120DT-G8 IC  
or K4S161622D-TC80 IC  
or HY57V161610DTC8 IC  
IC8601 JCP8029 IC  
IC8801 AK4518-VF-X IC  
IC8802 BA15218F-XE IC  
IC8803 BA15218F-XE IC  
IC8901 SI-3018LS-X IC  
or SI-3018LSA-X IC  
Q8601 2SC4617/RS/-X TRANSISTOR  
Q8602 2SA1774/RS/-X TRANSISTOR  
Q8603 2SC4617/RS/-X TRANSISTOR  
Q8604 2SA1774/RS/-X TRANSISTOR  
Q8605 2SC4617/RS/-X TRANSISTOR  
Q8606 2SC4617/RS/-X TRANSISTOR  
Q8607 2SC4617/RS/-X TRANSISTOR

#	△	REF No.	PART No.	PART NAME, DESCRIPTION	#	△	REF No.	PART No.	PART NAME, DESCRIPTION
Q8608			2SC4617/RS/-X	TRANSISTOR	R8244			NRSA63J-103X	MG RESISTOR 10kΩ,1/16W
Q8609			2SC4617/RS/-X	TRANSISTOR	R8245			NRSA63J-103X	MG RESISTOR 10kΩ,1/16W
Q8610			2SA1774/RS/-X	TRANSISTOR	R8246			NRSA63J-112X	MG RESISTOR 1.1kΩ,1/16W
Q8611			2SC4617/RS/-X	TRANSISTOR	R8247			NRSA63J-0R0X	MG RESISTOR 0Ω,1/16W
Q8612			2SA1774/RS/-X	TRANSISTOR	R8401			NRSA63J-512X	MG RESISTOR 5.1kΩ,1/16W
Q8613			2SC4617/RS/-X	TRANSISTOR	R8402			NRSA63J-512X	MG RESISTOR 5.1kΩ,1/16W
Q8614			2SA1774/RS/-X	TRANSISTOR	R8403			NRSA63J-201X	MG RESISTOR 200Ω,1/16W
Q8615			2SA1774/RS/-X	TRANSISTOR	R8406			NRSA63J-201X	MG RESISTOR 200Ω,1/16W
Q8616			2SC4617/RS/-X	TRANSISTOR	R8407			NRSA63J-332X	MG RESISTOR 3.3kΩ,1/16W
Q8617			2SA1774/RS/-X	TRANSISTOR	R8408			NRSA63J-201X	MG RESISTOR 200Ω,1/16W
Q8618			2SC4617/RS/-X	TRANSISTOR	R8409			NRSA63J-201X	MG RESISTOR 200Ω,1/16W
Q8619			2SA1774/RS/-X	TRANSISTOR	R8410			NRSA63J-0R0X	MG RESISTOR 0Ω,1/16W
R8001			NRSA63J-0R0X	MG RESISTOR 0Ω,1/16W	R8601			NRSA63J-333X	MG RESISTOR 33kΩ,1/16W
R8002			NRSA63J-0R0X	MG RESISTOR 0Ω,1/16W	R8602			NRSA63J-223X	MG RESISTOR 22kΩ,1/16W
R8004			NRSA63J-0R0X	MG RESISTOR 0Ω,1/16W	R8603			NRSA63J-821X	MG RESISTOR 820Ω,1/16W
R8005			NRSA63J-0R0X	MG RESISTOR 0Ω,1/16W	R8604			NRSA63J-821X	MG RESISTOR 820Ω,1/16W
R8006			NRSA63J-752X	MG RESISTOR 7.5kΩ,1/16W	R8605			NRVA63D-182X	CMF RESISTOR 1.8kΩ,1/16W
R8007			NRSA63J-390X	MG RESISTOR 39Ω,1/16W	R8606			NRSA63J-391X	MG RESISTOR 390Ω,1/16W
R8008			NRSA63J-562X	MG RESISTOR 5.6kΩ,1/16W	R8609			NRSA63J-102X	MG RESISTOR 1kΩ,1/16W
R8009			NRSA63J-105X	MG RESISTOR 1MΩ,1/16W	R8610			NRSA63J-751X	MG RESISTOR 750Ω,1/16W
R8011			NRSA63J-512X	MG RESISTOR 5.1kΩ,1/16W	R8612			NRSA63J-222X	MG RESISTOR 2.2kΩ,1/16W
R8012			NRSA63J-0R0X	MG RESISTOR 0Ω,1/16W	R8613			NRSA63J-471X	MG RESISTOR 470Ω,1/16W
R8013			NRSA63J-0R0X	MG RESISTOR 0Ω,1/16W	R8616			NRSA63J-684X	MG RESISTOR 680kΩ,1/16W
R8014			NRSA63J-820X	MG RESISTOR 82Ω,1/16W	R8617			NRSA63J-221X	MG RESISTOR 220Ω,1/16W
R8015			NRSA63J-820X	MG RESISTOR 82Ω,1/16W	R8618			NRSA63J-223X	MG RESISTOR 22kΩ,1/16W
R8016			NRSA63J-102X	MG RESISTOR 1kΩ,1/16W	R8619			NRSA63J-273X	MG RESISTOR 27kΩ,1/16W
R8017			NRSA63J-820X	MG RESISTOR 82Ω,1/16W	R8620			NRSA63J-102X	MG RESISTOR 1kΩ,1/16W
R8018			NRSA63J-562X	MG RESISTOR 5.6kΩ,1/16W	R8622			NRSA63J-751X	MG RESISTOR 750Ω,1/16W
R8019			NRSA63J-103X	MG RESISTOR 10kΩ,1/16W	R8623			NRSA63J-222X	MG RESISTOR 2.2kΩ,1/16W
R8020			NRSA63J-103X	MG RESISTOR 10kΩ,1/16W	R8624			NRVA63D-152X	CMF RESISTOR 1.5kΩ,1/16W
R8021			NRSA63J-103X	MG RESISTOR 10kΩ,1/16W	R8625			NRSA63J-472X	MG RESISTOR 4.7kΩ,1/16W
R8022			NRSA63J-330X	MG RESISTOR 33Ω,1/16W	R8626			NRSA63J-102X	MG RESISTOR 1kΩ,1/16W
R8023			NRSA63J-330X	MG RESISTOR 33Ω,1/16W	R8627			NRSA63J-331X	MG RESISTOR 330Ω,1/16W
R8024			NRSA63J-330X	MG RESISTOR 33Ω,1/16W	R8628			NRSA63J-331X	MG RESISTOR 330Ω,1/16W
R8026			NRSA63J-330X	MG RESISTOR 33Ω,1/16W	R8629			NRSA63J-273X	MG RESISTOR 27kΩ,1/16W
R8027			NRSA63J-330X	MG RESISTOR 33Ω,1/16W	R8631			NRSA63J-821X	MG RESISTOR 820Ω,1/16W
R8031			NRSA63J-333X	MG RESISTOR 33kΩ,1/16W	R8632			NRSA63J-222X	MG RESISTOR 2.2kΩ,1/16W
R8033			NRSA63J-103X	MG RESISTOR 10kΩ,1/16W	R8633			NRSA63J-751X	MG RESISTOR 750Ω,1/16W
R8037			NRSA63J-0R0X	MG RESISTOR 0Ω,1/16W	R8635			NRSA63J-102X	MG RESISTOR 1kΩ,1/16W
R8039			NRSA63J-0R0X	MG RESISTOR 0Ω,1/16W	R8636			NRSA63J-391X	MG RESISTOR 390Ω,1/16W
R8040			NRSA63J-0R0X	MG RESISTOR 0Ω,1/16W	R8637			NRSA63J-102X	MG RESISTOR 1kΩ,1/16W
R8041			NRSA63J-0R0X	MG RESISTOR 0Ω,1/16W	R8638			NRSA63J-821X	MG RESISTOR 820Ω,1/16W
R8042			NRSA63J-103X	MG RESISTOR 10kΩ,1/16W	R8639			NRSA63J-821X	MG RESISTOR 820Ω,1/16W
R8044			NRSA63J-222X	MG RESISTOR 2.2kΩ,1/16W	R8640			NRSA63J-223X	MG RESISTOR 22kΩ,1/16W
R8046			NRSA63J-0R0X	MG RESISTOR 0Ω,1/16W	R8641			NRSA63J-273X	MG RESISTOR 27kΩ,1/16W
R8047			NRSA63J-0R0X	MG RESISTOR 0Ω,1/16W	R8643			NRSA63J-102X	MG RESISTOR 1kΩ,1/16W
R8048			NRSA63J-561X	MG RESISTOR 560Ω,1/16W	R8644			NRSA63J-201X	MG RESISTOR 200Ω,1/16W
R8203			NRSA63J-0R0X	MG RESISTOR 0Ω,1/16W	R8646			NRSA63J-821X	MG RESISTOR 820Ω,1/16W
R8205			NRSA63J-0R0X	MG RESISTOR 0Ω,1/16W	R8647			NRSA63J-222X	MG RESISTOR 2.2kΩ,1/16W
R8206			NRSA63J-390X	MG RESISTOR 39Ω,1/16W	R8648			NRSA63J-751X	MG RESISTOR 750Ω,1/16W
R8215			NRSA63J-750X	MG RESISTOR 75Ω,1/16W	R8650			NRSA63J-102X	MG RESISTOR 1kΩ,1/16W
R8217			NRSA63J-220X	MG RESISTOR 22Ω,1/16W	R8651			NRSA63J-391X	MG RESISTOR 390Ω,1/16W
R8218			NRSA63J-103X	MG RESISTOR 10kΩ,1/16W	R8652			NRSA63J-222X	MG RESISTOR 2.2kΩ,1/16W
R8224			NRSA63J-0R0X	MG RESISTOR 0Ω,1/16W	R8653			NRSA63J-821X	MG RESISTOR 820Ω,1/16W
R8225			NRSA63J-0R0X	MG RESISTOR 0Ω,1/16W	R8654			NRSA63J-821X	MG RESISTOR 820Ω,1/16W
R8226			NRSA63J-0R0X	MG RESISTOR 0Ω,1/16W	R8655			NRSA63J-273X	MG RESISTOR 27kΩ,1/16W
R8230			NRSA63J-220X	MG RESISTOR 22Ω,1/16W	R8656			NRSA63J-273X	MG RESISTOR 27kΩ,1/16W
R8233			NRSA63J-332X	MG RESISTOR 3.3kΩ,1/16W	R8658			NRSA63J-102X	MG RESISTOR 1kΩ,1/16W
R8241			NRSA63J-0R0X	MG RESISTOR 0Ω,1/16W	R8659			NRSA63J-201X	MG RESISTOR 200Ω,1/16W
R8242			NRSA63J-105X	MG RESISTOR 1MΩ,1/16W	R8660			NRSA63J-272X	MG RESISTOR 2.7kΩ,1/16W
R8243			NRSA63J-0R0X	MG RESISTOR 0Ω,1/16W	R8661			NRSA63J-152X	MG RESISTOR 1.5kΩ,1/16W

#	△ REF No.	PART No.	PART NAME, DESCRIPTION	#	△ REF No.	PART No.	PART NAME, DESCRIPTION
R8662		NRSA63J-821X	MG RESISTOR 820Ω,1/16W	C8005		NEA70JM-107X	E CAPACITOR 100μF,6.3V
R8663		NRSA63J-101X	MG RESISTOR 100Ω,1/16W	C8006		NCB31CK-104X	CAPACITOR 0.1μF,16V
R8664		NRSA63J-473X	MG RESISTOR 47kΩ,1/16W	C8007		NCB31CK-104X	CAPACITOR 0.1μF,16V
R8665		NRSA63J-473X	MG RESISTOR 47kΩ,1/16W	C8008		NCB31CK-104X	CAPACITOR 0.1μF,16V
R8666		NRSA63J-221X	MG RESISTOR 220Ω,1/16W	C8009		NCB31CK-104X	CAPACITOR 0.1μF,16V
R8667		NRSA63J-221X	MG RESISTOR 220Ω,1/16W	C8010		NCB31CK-104X	CAPACITOR 0.1μF,16V
R8668		NRSA63J-221X	MG RESISTOR 220Ω,1/16W	C8011		NCB31CK-104X	CAPACITOR 0.1μF,16V
R8672		NRSA63J-0R0X	MG RESISTOR 0Ω,1/16W	C8012		NEA70JM-107X	E CAPACITOR 100μF,6.3V
R8673		NRSA63J-0R0X	MG RESISTOR 0Ω,1/16W	C8013		NCB31CK-104X	CAPACITOR 0.1μF,16V
R8674		NRSA63J-821X	MG RESISTOR 820Ω,1/16W	C8014		NCB31CK-104X	CAPACITOR 0.1μF,16V
R8675		NRSA63J-101X	MG RESISTOR 100Ω,1/16W	C8015		NCB31CK-104X	CAPACITOR 0.1μF,16V
R8676		NRSA63J-152X	MG RESISTOR 1.5kΩ,1/16W	C8016		NDC31HJ-120X	CAPACITOR 12pF,50V
R8677		NRSA63J-272X	MG RESISTOR 2.7kΩ,1/16W	C8017		NCB31HK-103X	CAPACITOR 0.01μF,50V
R8678		NRSA63J-561X	MG RESISTOR 560Ω,1/16W	C8018		NCB31CK-104X	CAPACITOR 0.1μF,16V
R8801		NRSA63J-153X	MG RESISTOR 15kΩ,1/16W	C8019		NCB31CK-104X	CAPACITOR 0.1μF,16V
R8802		NRSA63J-153X	MG RESISTOR 15kΩ,1/16W	C8020		NCB31CK-104X	CAPACITOR 0.1μF,16V
R8803		NRSA63J-822X	MG RESISTOR 8.2kΩ,1/16W	C8021		NCB31CK-104X	CAPACITOR 0.1μF,16V
R8804		NRSA63J-822X	MG RESISTOR 8.2kΩ,1/16W	C8022		NCB31CK-104X	CAPACITOR 0.1μF,16V
R8810		NRSA63J-100X	MG RESISTOR 10Ω,1/16W	C8023		NCB31CK-104X	CAPACITOR 0.1μF,16V
R8812		NRSA63J-0R0X	MG RESISTOR 0Ω,1/16W	C8024		NCB31CK-104X	CAPACITOR 0.1μF,16V
R8813		NRSA63J-0R0X	MG RESISTOR 0Ω,1/16W	C8025		NEA70JM-107X	E CAPACITOR 100μF,6.3V
R8814		NRSA63J-0R0X	MG RESISTOR 0Ω,1/16W	C8026		NCB31CK-104X	CAPACITOR 0.1μF,16V
R8818		NRSA63J-0R0X	MG RESISTOR 0Ω,1/16W	C8027		NCB31AK-224X	CAPACITOR 0.22μF,10V
R8819		NRSA63J-221X	MG RESISTOR 220Ω,1/16W	C8028		NCB31CK-104X	CAPACITOR 0.1μF,16V
R8820		NRSA63J-222X	MG RESISTOR 2.2kΩ,1/16W	C8029		NBE20JM-106X	T CAPACITOR 10μF,6.3V
R8821		NRSA63J-102X	MG RESISTOR 1kΩ,1/16W	C8030		NCB31CK-104X	CAPACITOR 0.1μF,16V
R8823		NRSA63J-302X	MG RESISTOR 3kΩ,1/16W	C8031		NCB31CK-104X	CAPACITOR 0.1μF,16V
R8824		NRSA63J-221X	MG RESISTOR 220Ω,1/16W	C8032		NDC31HJ-470X	CAPACITOR 47pF,50V
R8825		NRSA63J-222X	MG RESISTOR 2.2kΩ,1/16W	C8033		NCB31CK-104X	CAPACITOR 0.1μF,16V
R8826		NRSA63J-102X	MG RESISTOR 1kΩ,1/16W	C8036		NCB31CK-104X	CAPACITOR 0.1μF,16V
R8828		NRSA63J-302X	MG RESISTOR 3kΩ,1/16W	C8038		NCB30JK-105X	CAPACITOR 1μF,6.3V
R8829		NRSA63J-102X	MG RESISTOR 1kΩ,1/16W	C8201		NCB31CK-104X	CAPACITOR 0.1μF,16V
R8830		NRSA63J-102X	MG RESISTOR 1kΩ,1/16W	C8202		NCB31CK-104X	CAPACITOR 0.1μF,16V
R8831		NRSA63J-0R0X	MG RESISTOR 0Ω,1/16W	C8203		NCB31CK-104X	CAPACITOR 0.1μF,16V
R8832		NRSA63J-103X	MG RESISTOR 10kΩ,1/16W	C8204		NCB31CK-104X	CAPACITOR 0.1μF,16V
R8833		NRSA63J-102X	MG RESISTOR 1kΩ,1/16W	C8205		NCB31CK-104X	CAPACITOR 0.1μF,16V
R8834		NRSA63J-102X	MG RESISTOR 1kΩ,1/16W	C8206		NCB31CK-104X	CAPACITOR 0.1μF,16V
R8835		NRSA63J-0R0X	MG RESISTOR 0Ω,1/16W	C8207		NCB31CK-104X	CAPACITOR 0.1μF,16V
R8836		NRSA63J-103X	MG RESISTOR 10kΩ,1/16W	C8208		NCB31CK-104X	CAPACITOR 0.1μF,16V
VR8603		NVP1311-102N	V RESISTOR,HDD PB C burst LEVEL ADJ	C8209		NCB31CK-104X	CAPACITOR 0.1μF,16V
VR8604		NVP1311-103N	V RESISTOR,HDD PB Y LEVEL ADJ	C8210		NCB31CK-104X	CAPACITOR 0.1μF,16V
RA8001		NRZ0040-0R0X	NETWORK RESISTOR	C8211		NCB31CK-104X	CAPACITOR 0.1μF,16V
RA8002		NRZ0040-0R0X	NETWORK RESISTOR	C8212		NCB31CK-104X	CAPACITOR 0.1μF,16V
RA8003		NRZ0040-0R0X	NETWORK RESISTOR	C8213		NCB31CK-104X	CAPACITOR 0.1μF,16V
RA8004		NRZ0040-330X	NETWORK RESISTOR	C8214		NCB31CK-104X	CAPACITOR 0.1μF,16V
RA8005		NRZ0040-330X	NETWORK RESISTOR	C8215		NCB31CK-104X	CAPACITOR 0.1μF,16V
RA8006		NRZ0040-330X	NETWORK RESISTOR	C8216		NBE20JM-226X	T CAPACITOR 22μF,6.3V
RA8007		NRZ0040-330X	NETWORK RESISTOR	C8217		NCB31CK-104X	CAPACITOR 0.1μF,16V
RA8008		NRZ0040-330X	NETWORK RESISTOR	C8218		NBE20JM-226X	T CAPACITOR 22μF,6.3V
RA8009		NRZ0040-0R0X	NETWORK RESISTOR	C8219		NCB31CK-104X	CAPACITOR 0.1μF,16V
RA8010		NRZ0040-0R0X	NETWORK RESISTOR	C8220		NBE20JM-226X	T CAPACITOR 22μF,6.3V
RA8212		NRZ0040-0R0X	NETWORK RESISTOR	C8221		NCB31CK-104X	CAPACITOR 0.1μF,16V
RA8213		NRZ0040-0R0X	NETWORK RESISTOR	C8222		NBE20JM-226X	T CAPACITOR 22μF,6.3V
RA8214		NRZ0040-0R0X	NETWORK RESISTOR	C8223		NCB31CK-104X	CAPACITOR 0.1μF,16V
B8001		NRSA63J-0R0X	MG RESISTOR 0Ω,1/16W	C8227		NCB31CK-104X	CAPACITOR 0.1μF,16V
B8002		NRSA63J-0R0X	MG RESISTOR 0Ω,1/16W	C8229		NCB31CK-104X	CAPACITOR 0.1μF,16V
B8201		QRE141J-0R0Y	RESISTOR 0Ω,1/4W	C8230		NCB31CK-104X	CAPACITOR 0.1μF,16V
C8001		NCB31CK-104X	CAPACITOR 0.1μF,16V	C8231		NCB31CK-104X	CAPACITOR 0.1μF,16V
C8002		NCB31CK-104X	CAPACITOR 0.1μF,16V	C8232		NCB31CK-104X	CAPACITOR 0.1μF,16V
C8003		NCB31CK-104X	CAPACITOR 0.1μF,16V	C8233		NCB31CK-104X	CAPACITOR 0.1μF,16V
C8004		NCB31CK-104X	CAPACITOR 0.1μF,16V	C8234		NCB31CK-104X	CAPACITOR 0.1μF,16V



#	△	REF No.	PART No.	PART NAME, DESCRIPTION	#	△	REF No.	PART No.	PART NAME, DESCRIPTION
C8235			NCB31CK-104X	CAPACITOR	C8426			NCB31CK-104X	CAPACITOR
C8236			NCB31CK-104X	CAPACITOR	C8427			NCB31CK-104X	CAPACITOR
C8237			NCB31CK-104X	CAPACITOR	C8428			NCB31CK-104X	CAPACITOR
C8238			NCB31CK-104X	CAPACITOR	C8429			NCB31CK-104X	CAPACITOR
C8239			NCB31CK-104X	CAPACITOR	C8430			NCB31CK-104X	CAPACITOR
C8240			NCB31CK-104X	CAPACITOR	C8431			NCB31CK-104X	CAPACITOR
C8241			NCB31CK-104X	CAPACITOR	C8432			NCB31CK-104X	CAPACITOR
C8242			NCB31CK-104X	CAPACITOR	C8433			NCB31CK-104X	CAPACITOR
C8243			NCB31CK-104X	CAPACITOR	C8434			NCB31CK-104X	CAPACITOR
C8244			NCB31CK-104X	CAPACITOR	C8435			NCB31CK-104X	CAPACITOR
C8245			NCB31CK-104X	CAPACITOR	C8436			NCB31CK-104X	CAPACITOR
C8246			NCB31CK-104X	CAPACITOR	C8437			NCB31CK-104X	CAPACITOR
C8247			NCB31CK-104X	CAPACITOR	C8438			NCB31CK-104X	CAPACITOR
C8248			NCB31CK-104X	CAPACITOR	C8439			NCB31CK-104X	CAPACITOR
C8249			NCB31CK-104X	CAPACITOR	C8440			NBE20JM-106X	T CAPACITOR
C8250			NCB31CK-104X	CAPACITOR	C8441			NCB31CK-104X	CAPACITOR
C8251			NCB31CK-104X	CAPACITOR	C8442			NCB31CK-104X	CAPACITOR
C8252			NCB31CK-104X	CAPACITOR	C8443			NCB31CK-104X	CAPACITOR
C8253			NCB31CK-104X	CAPACITOR	C8444			NCB31CK-104X	CAPACITOR
C8254			NCB31CK-104X	CAPACITOR	C8445			NCB31CK-104X	CAPACITOR
C8255			NCB31CK-104X	CAPACITOR	C8446			NCB31CK-104X	CAPACITOR
C8256			NCB31CK-104X	CAPACITOR	C8447			NBE20JM-106X	T CAPACITOR
C8267			NCB31CK-104X	CAPACITOR	C8448			NCB31CK-104X	CAPACITOR
C8268			NCB31CK-104X	CAPACITOR	C8449			NCB31CK-104X	CAPACITOR
C8269			NCB31CK-104X	CAPACITOR	C8450			NCB31CK-104X	CAPACITOR
C8270			NCB31CK-104X	CAPACITOR	C8451			NCB31CK-104X	CAPACITOR
C8271			NBE20JM-226X	T CAPACITOR	C8452			NCB31CK-104X	CAPACITOR
C8272			NBE20JM-226X	T CAPACITOR	C8453			NCB31CK-104X	CAPACITOR
C8273			NCB31CK-104X	CAPACITOR	C8454			NBE20JM-106X	T CAPACITOR
C8274			NCB31CK-104X	CAPACITOR	C8455			NCB31CK-104X	CAPACITOR
C8280			NCB31CK-104X	CAPACITOR	C8456			NCB31CK-104X	CAPACITOR
C8281			NBE20JM-226X	T CAPACITOR	C8457			NCB31CK-104X	CAPACITOR
C8282			NEA70JM-107X	E CAPACITOR	C8458			NCB31CK-104X	CAPACITOR
C8283			NCB31CK-104X	CAPACITOR	C8459			NCB31CK-104X	CAPACITOR
C8287			NEA70JM-107X	E CAPACITOR	C8460			NCB31CK-104X	CAPACITOR
C8288			NCB31CK-104X	CAPACITOR	C8601			NBE20JM-106X	T CAPACITOR
C8289			NCB31CK-104X	CAPACITOR	C8602			NCB31CK-104X	CAPACITOR
C8401			NBE20JM-226X	T CAPACITOR	C8603			NDC31HJ-8R0X	CAPACITOR
C8402			NBE20JM-106X	T CAPACITOR	C8604			NDC31HJ-150X	CAPACITOR
C8403			NCB31CK-104X	CAPACITOR	C8605			NDC31HJ-390X	CAPACITOR
C8404			NBE20JM-226X	T CAPACITOR	C8606			NDC31HJ-330X	CAPACITOR
C8405			NCB31CK-104X	CAPACITOR	C8607			NCB11AK-475X	CAPACITOR
C8407			NCB31CK-104X	CAPACITOR	C8608			NCB31HK-103X	CAPACITOR
C8408			NCB31CK-104X	CAPACITOR	C8609			NEA70JM-107X	E CAPACITOR
C8409			NCB31CK-104X	CAPACITOR	C8610			NCB31HK-103X	CAPACITOR
C8410			NCB31CK-104X	CAPACITOR	C8611			NCB31HK-103X	CAPACITOR
C8411			NCB31CK-104X	CAPACITOR	C8612			NCB31CK-104X	CAPACITOR
C8412			NCB31CK-104X	CAPACITOR	C8613			NDC31HJ-8R0X	CAPACITOR
C8413			NCB31CK-104X	CAPACITOR	C8614			NDC31HJ-150X	CAPACITOR
C8414			NCB31CK-104X	CAPACITOR	C8615			NDC31HJ-390X	CAPACITOR
C8415			NCB31CK-104X	CAPACITOR	C8616			NDC31HJ-330X	CAPACITOR
C8416			NCB31CK-104X	CAPACITOR	C8617			NCB31HK-103X	CAPACITOR
C8417			NCB31CK-104X	CAPACITOR	C8618			NCB31HK-103X	CAPACITOR
C8418			NCB31CK-104X	CAPACITOR	C8619			NEA70JM-107X	E CAPACITOR
C8419			NCB31CK-104X	CAPACITOR	C8620			NCB31CK-104X	CAPACITOR
C8420			NCB31CK-104X	CAPACITOR	C8621			NDC31HJ-330X	CAPACITOR
C8421			NCB31CK-104X	CAPACITOR	C8622			NDC31HJ-390X	CAPACITOR
C8422			NCB31CK-104X	CAPACITOR	C8623			NDC31HJ-150X	CAPACITOR
C8423			NCB31CK-104X	CAPACITOR	C8624			NDC31HJ-8R0X	CAPACITOR
C8424			NCB31CK-104X	CAPACITOR	C8625			NCB31CK-104X	CAPACITOR
C8425			NCB31CK-104X	CAPACITOR	C8626			NCB31HK-103X	CAPACITOR

#	△ REF No.	PART No.	PART NAME, DESCRIPTION	#	△ REF No.	PART No.	PART NAME, DESCRIPTION
C8627		NCB31CK-104X	CAPACITOR 0.1μF,16V	C8905		NEA70JM-107X	E CAPACITOR 100μF,6.3V
C8628		NDC31HJ-330X	CAPACITOR 33pF,50V	C8906		NCB31CK-104X	CAPACITOR 0.1μF,16V
C8629		NDC31HJ-390X	CAPACITOR 39pF,50V	C8907		NEA70JM-107X	E CAPACITOR 100μF,6.3V
C8630		NDC31HJ-120X	CAPACITOR 12pF,50V	C8908		NCB31CK-104X	CAPACITOR 0.1μF,16V
C8631		NDC31HJ-8R0X	CAPACITOR 8pF,50V	C8909		NEA70JM-107X	E CAPACITOR 100μF,6.3V
C8632		NCB31CK-104X	CAPACITOR 0.1μF,16V	C8910		NCB31CK-104X	CAPACITOR 0.1μF,16V
C8633		NBE20JM-106X	T CAPACITOR 10μF,6.3V	C8911		NEA70JM-107X	E CAPACITOR 100μF,6.3V
C8634		NBE20JM-106X	T CAPACITOR 10μF,6.3V	C8912		NCB31CK-104X	CAPACITOR 0.1μF,16V
C8635		NCB31HK-103X	CAPACITOR 0.01μF,50V	C8913		NEA70JM-107X	E CAPACITOR 100μF,6.3V
C8636		NCB31CK-104X	CAPACITOR 0.1μF,16V	C8914		NCB31CK-104X	CAPACITOR 0.1μF,16V
C8637		NCB31CK-104X	CAPACITOR 0.1μF,16V	C8915		NEA70JM-107X	E CAPACITOR 100μF,6.3V
C8638		NCB31CK-104X	CAPACITOR 0.1μF,16V	C8916		NCB31CK-104X	CAPACITOR 0.1μF,16V
C8639		NCB31CK-104X	CAPACITOR 0.1μF,16V	C8917		NBE20JM-106X	T CAPACITOR 10μF,6.3V
C8640		NCB31CK-104X	CAPACITOR 0.1μF,16V	C8918		NCB31CK-104X	CAPACITOR 0.1μF,16V
C8641		NCB31CK-104X	CAPACITOR 0.1μF,16V	C8919		NBE20JM-106X	T CAPACITOR 10μF,6.3V
C8642		NCB31CK-104X	CAPACITOR 0.1μF,16V	C8920		NCB31CK-104X	CAPACITOR 0.1μF,16V
C8643		NCB31CK-104X	CAPACITOR 0.1μF,16V	C8921		NEA70JM-107X	E CAPACITOR 100μF,6.3V
C8644		NCB31CK-104X	CAPACITOR 0.1μF,16V	C8922		NCB31CK-104X	CAPACITOR 0.1μF,16V
C8645		NBE20JM-106X	T CAPACITOR 10μF,6.3V	L8001		NQR0339-001X	FERRITE BEAD
C8646		NCB31CK-104X	CAPACITOR 0.1μF,16V	L8401		NQR0339-001X	FERRITE BEAD
C8647		NBE20JM-106X	T CAPACITOR 10μF,6.3V	L8402		NQR0339-001X	FERRITE BEAD
C8648		NCB31CK-104X	CAPACITOR 0.1μF,16V	L8403		NQR0339-001X	FERRITE BEAD
C8649		NBE20JM-106X	T CAPACITOR 10μF,6.3V	L8601		NQL025J-150X	COIL 15μH
C8650		NCB31CK-104X	CAPACITOR 0.1μF,16V	L8602		NQL085J-330X	COIL 33μH
C8651		NCB31CK-104X	CAPACITOR 0.1μF,16V	L8603		NQR0339-001X	FERRITE BEAD
C8652		NCB31CK-104X	CAPACITOR 0.1μF,16V	L8604		NQL025J-150X	COIL 15μH
C8654		NCB31CK-104X	CAPACITOR 0.1μF,16V	L8605		NQL085J-330X	COIL 33μH
C8655		NCB31CK-104X	CAPACITOR 0.1μF,16V	L8606		NQR0339-001X	FERRITE BEAD
C8656		NCB31CK-104X	CAPACITOR 0.1μF,16V	L8607		NQL085J-330X	COIL 33μH
C8657		NCB31CK-104X	CAPACITOR 0.1μF,16V	L8608		NQL025J-150X	COIL 15μH
C8801		NEA71HM-105X	E CAPACITOR 1μF,50V	L8609		NQL085J-330X	COIL 33μH
C8802		NEA71HM-105X	E CAPACITOR 1μF,50V	L8610		NQL025J-150X	COIL 15μH
C8803		NBE20JM-475X	T CAPACITOR 4.7μF,6.3V	△ L8611		NQL035K-100X	COIL 10μH
C8804		NDC31HJ-151X	CAPACITOR 150pF,50V	L8612		NQR0129-002X	FERRITE BEAD
C8805		NCB31CK-104X	CAPACITOR 0.1μF,16V	L8613		NQR0339-001X	FERRITE BEAD
C8806		NCB31CK-104X	CAPACITOR 0.1μF,16V	L8614		NQR0339-001X	FERRITE BEAD
C8807		NBE20JM-475X	T CAPACITOR 4.7μF,6.3V	L8801		NQR0339-001X	FERRITE BEAD
C8808		NDC31HJ-151X	CAPACITOR 150pF,50V	△ L8802		NQL035K-100X	COIL 10μH
C8809		NCB31CK-104X	CAPACITOR 0.1μF,16V	L8803		NQL035K-100X	COIL 10μH
C8810		NBE20JM-226X	T CAPACITOR 22μF,6.3V	X8001		NAX0304-001X	CXO
C8811		NCB31CK-104X	CAPACITOR 0.1μF,16V	K8001		NRSA02J-150X	MG RESISTOR 15Ω,1/10W
C8812		NBE20JM-475X	T CAPACITOR 4.7μF,6.3V	△ K8207		NQR0129-002X	FERRITE BEAD
C8813		NCB31CK-104X	CAPACITOR 0.1μF,16V	K8209		NQR0129-002X	FERRITE BEAD
C8814		NBE20JM-226X	T CAPACITOR 22μF,6.3V	K8210		NQR0339-001X	FERRITE BEAD
C8815		NCB31CK-104X	CAPACITOR 0.1μF,16V	*K8701		QQR0717-031	FERRITE CORE
C8816		NEA71HM-105X	E CAPACITOR 1μF,50V	K8901		NQR0339-001X	FERRITE BEAD
C8820		NEA71HM-105X	E CAPACITOR 1μF,50V	K8902		NQR0339-001X	FERRITE BEAD
C8825		NCB31HK-332X	CAPACITOR 0.0033μF,50V	K8903		NQR0339-001X	FERRITE BEAD
C8826		NCB31HK-682X	CAPACITOR 0.0068μF,50V	K8904		NQR0339-001X	FERRITE BEAD
C8828		NBE20JM-106X	T CAPACITOR 10μF,6.3V	K8905		NQR0339-001X	FERRITE BEAD
C8830		NCB31HK-332X	CAPACITOR 0.0033μF,50V	K8906		NQR0339-001X	FERRITE BEAD
C8831		NCB31HK-682X	CAPACITOR 0.0068μF,50V	K8907		NQR0339-001X	FERRITE BEAD
C8833		NBE20JM-106X	T CAPACITOR 10μF,6.3V	K8908		NQR0339-001X	FERRITE BEAD
C8834		NCB31CK-104X	CAPACITOR 0.1μF,16V	ET1		QNZ0136-001Z	EARTH TERMINAL
C8835		NEA71CM-476X	E CAPACITOR 47μF,16V	*J1		QUQ105-1210AA	FFC WIRE,DIGITAL SUB CN2
C8836		NCB31CK-104X	CAPACITOR 0.1μF,16V	*J2		QUQ105-1504AA	FFC WIRE,DIGITAL SUB CN1
C8837		NEA71CM-476X	E CAPACITOR 47μF,16V	*OT1		PU59915-107	#500SPACER0.007,DIGITAL SUB
C8901		NEA71CM-107X	E CAPACITOR 100μF,16V	CN8001		QGA2523F1-40	CONNECTOR,(1-40)HDD
C8902		NCB31CK-104X	CAPACITOR 0.1μF,16V	CN8002		QGF1016F2-06W	FFC/FPC CONNECTOR,(1-6)MAIN
C8903		NEA71CM-107X	E CAPACITOR 100μF,16V	CN8202		QGF1016F2-06W	FFC/FPC CONNECTOR,(1-6)
C8904		NCB31CK-104X	CAPACITOR 0.1μF,16V	CN8401		QGF0503C1-15V	FFC/FPC CONNECTOR,(1-15)DIGITAL SUB

#	△ REF No.	PART No.	PART NAME, DESCRIPTION
	CN8601	QGA2001F2-06V	CONNECTOR,(1-6)MAIN
	CN8602	QGF0512C1-12X	FPC CONNECTOR(1-12)DIGITAL SUB
	CN8801	QGF1016F4-08W	FFC/FPC CONNECTOR,(1-8)MAIN
	CN8901	QGA2001F2-09V	CONNECTOR,(1-9)REG

\*\*\*\*\*

**LOADING MOTOR BOARD ASSEMBLY <55>**

PW2	LPA10010-01A2	LOADING MOTOR BOARD ASSY
CN1	QGB2533K1-02	CONNECTOR

\*\*\*\*\*

**LED BOARD ASSEMBLY <90>**

PW4	LPA10126-04A4	LED BOARD ASSY	
D7017	SELU5E20C	LE DIODE	
D7019	QRE141J-103Y	RESISTOR	10kΩ,1/4W
R7056	QRE141J-101Y	RESISTOR	100Ω,1/4W
C7022	QDYB1CM-103Y	CAPACITOR	0.01μF,16V
FW7001	QUM022-07A4A4	PARA RIBON WIRE	

#	△ REF No.	PART No.	PART NAME, DESCRIPTION
---	-----------	----------	------------------------